

F300 Electronic Air Cleaner

PRODUCT DATA



APPLICATION

The F300 Electronic Air Cleaner is mounted in the return air duct of a forced air heating, cooling, or ventilating system. It captures a significant amount of the airborne particles 0.3 micron and larger from air circulated through it.

FEATURES

- Media postfilters (optional) provide enhanced filtration.
- Available in five sizes to fit most ducts; adapts to airflow from either side.
- Capacity varies from 1000 cfm (2040 m³/hr) to 2000 cfm (3400 m³/hr), depending on size.
- Solid state power supply is self-regulating and maintains peak efficiency during a wide range of cell dirt loading conditions.
- Low pressure drop.
- Optional W8600F Air Cleaner Monitor indicates air cleaner performance, reminds homeowner when filter and cell maintenance are due and when to check the system.
- Optional wireless W8600A AIRWATCH™ LCD indicator provides reminder when air cleaner electronic cells need washing, when media postfilters need replacing, when UV lamps need replacing and when humidifier pad needs replacing.
- Galvanized cabinet protects against rust.
- Neon light next to on-off switch tells if air cleaner is powered and if high voltage is present.
- Prefilter screens protect cells from large dirt particles.
- Test button checks system operation.

Contents

Application/Features.....	1
Specifications/Ordering Information	2
Installation	8
Operation	11
Checkout	11
Service	12
Replacement Parts/Exploded View	17



SPECIFICATIONS

IMPORTANT

The specifications given in this publication do not include normal manufacturing tolerances. Therefore, this unit may not exactly match the listed specifications. This product is tested and calibrated under closely controlled conditions, and some minor differences in performance can be expected if those conditions are changed.

Model:

F300E Electronic Air Cleaner: Includes cabinet, access door, solid state power supply, two electronic cells, two metal mesh prefilters, and two media postfilters.

F300A,B Electronic Air Cleaner: Includes cabinet, access door, solid state power supply, two electronic cells and two metal mesh prefilters.

Electrical Ratings:

Voltage and Frequency: Models available for 120V, 60 Hz., 240V, 60Hz. 120V models can be converted in the field to 240V, 60 Hz or 220/240V, 50 Hz with the 203365A Conversion Kit.

Power Consumption:

One cell models: 22 W maximum

Two cell models: 36 W maximum.

Current Draw: See Table 1.

Ionizer Voltage: 8150 Vdc.

Collector Voltage: 4075 Vdc.

Table 1. Current Draw.

Size		No. Cells	Max Current (A)	
in.	mm		120V	220/240V
16 x 25	406 x 635	2	0.4	0.2
20 x 25	508 x 635	2	0.4	0.2
16 x 20	406 x 508	2	0.4	0.2
20 x 20	508 x 508	2	0.4	0.2
20 x 12-1/2	508 x 318	1	0.4	0.2

Fractional Efficiency:

Efficiency ratings are based on American Society of Heating, Refrigerating and Air-Conditioning Engineers Standard 52.2-1999. Efficiency ranges are defined for small particles, $E_1 = .3$ to 1.0 micron; medium particles, $E_2 = 1.0$ to 3.0 microns; and large particles, $E_3 = 3.0$ to 10.0 microns.

Table 2. Fractional Efficiency With and Without Postfilter.

With postfilter	Without postfilter
$E_1 =$ Up to 81% at 492 fpm.	$E_1 =$ Up to 73% at 492 fpm.
$E_2 =$ Up to 93% at 492 fpm.	$E_2 =$ Up to 88% at 492 fpm.
$E_3 =$ Up to 99% at 492 fpm.	$E_3 =$ Up to 95% at 492 fpm.

ORDERING INFORMATION

When purchasing replacement and modernization products from your TRADELINE® wholesaler or distributor, refer to the TRADELINE® Catalog or price sheets for complete ordering number.

If you have additional questions, need further information, or would like to comment on our products or services, please write or phone:

1. Your local Honeywell Automation and Control Products Sales Office (check white pages of your phone directory).
2. Honeywell Customer Care
1885 Douglas Drive North
Minneapolis, Minnesota 55422-4386

In Canada—Honeywell Limited/Honeywell Limitée, 35 Dynamic Drive, Scarborough, Ontario M1V 4Z9.

International Sales and Service Offices in all principal cities of the world. Manufacturing in Australia, Canada, Finland, France, Germany, Japan, Mexico, Netherlands, Spain, Taiwan, United Kingdom, U.S.A.

AIR CLEANER EFFICIENCY AND PRESSURE DROP AT VARIOUS AIRFLOW RATES.

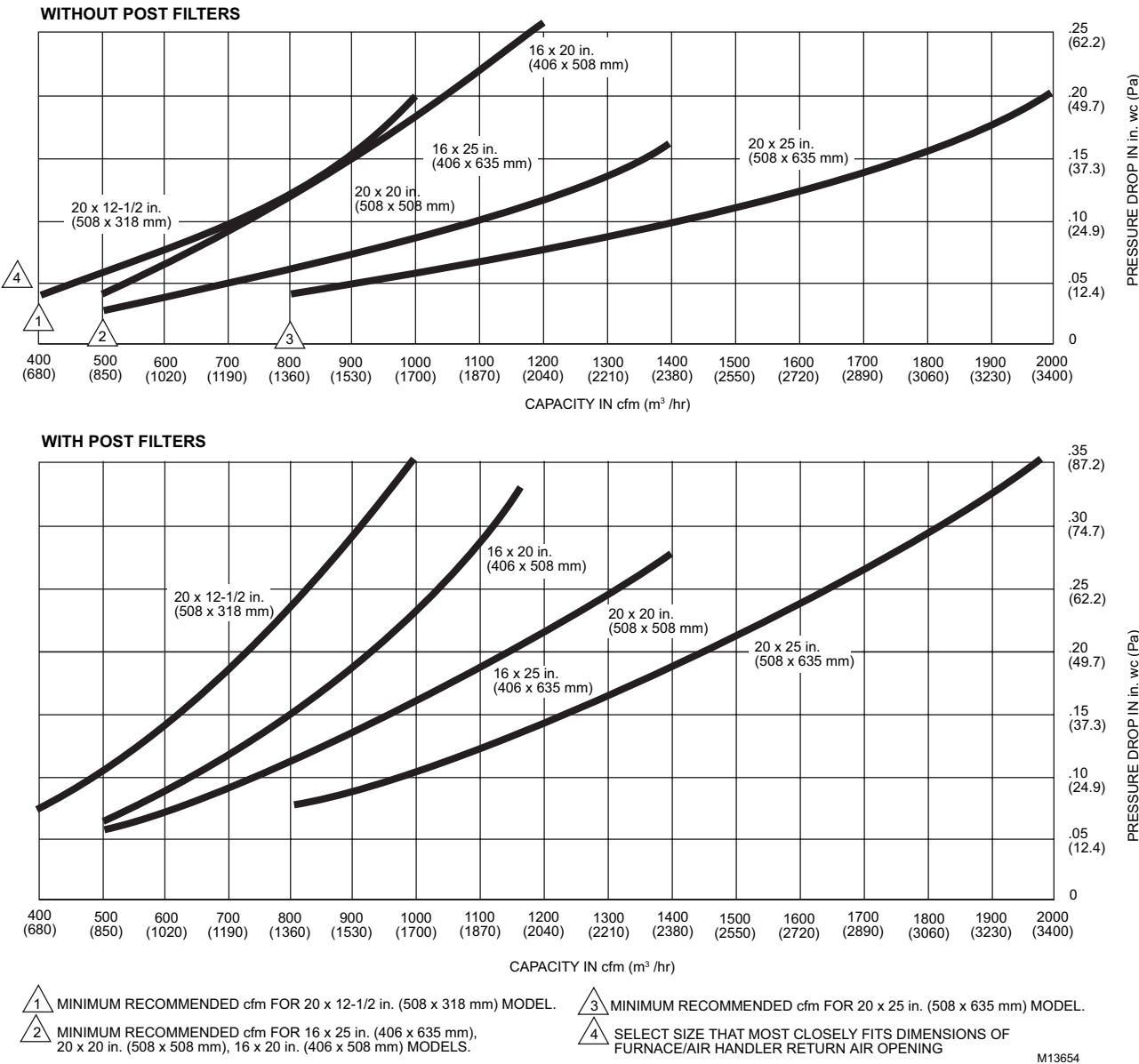


Fig. 1. Pressure Drop Vs. Airflow.

Temperature Ratings:

Operating Ambient: 40° to 125°F (4° to 52°C).
 Temperature of Airflow Through Cells: 40° to 125°F (4° to 52°C).
 Maximum Cell Washing Temperature: 220°F (140°C).
 Storage and Shipping Ambient: Minus 40°F to plus 140°F (minus 40°C to plus 60°C).

Mounting:

Mounts in the return air duct of a forced air heating, cooling, or ventilating system. Mount upstream from an atomizing humidifier. See Planning the Installation section.

Weight:

See Table 3.

Dimensions:

See Fig. 2.

Approvals:

Underwriters Laboratories Inc. Listed: File E30954.

Accessories:

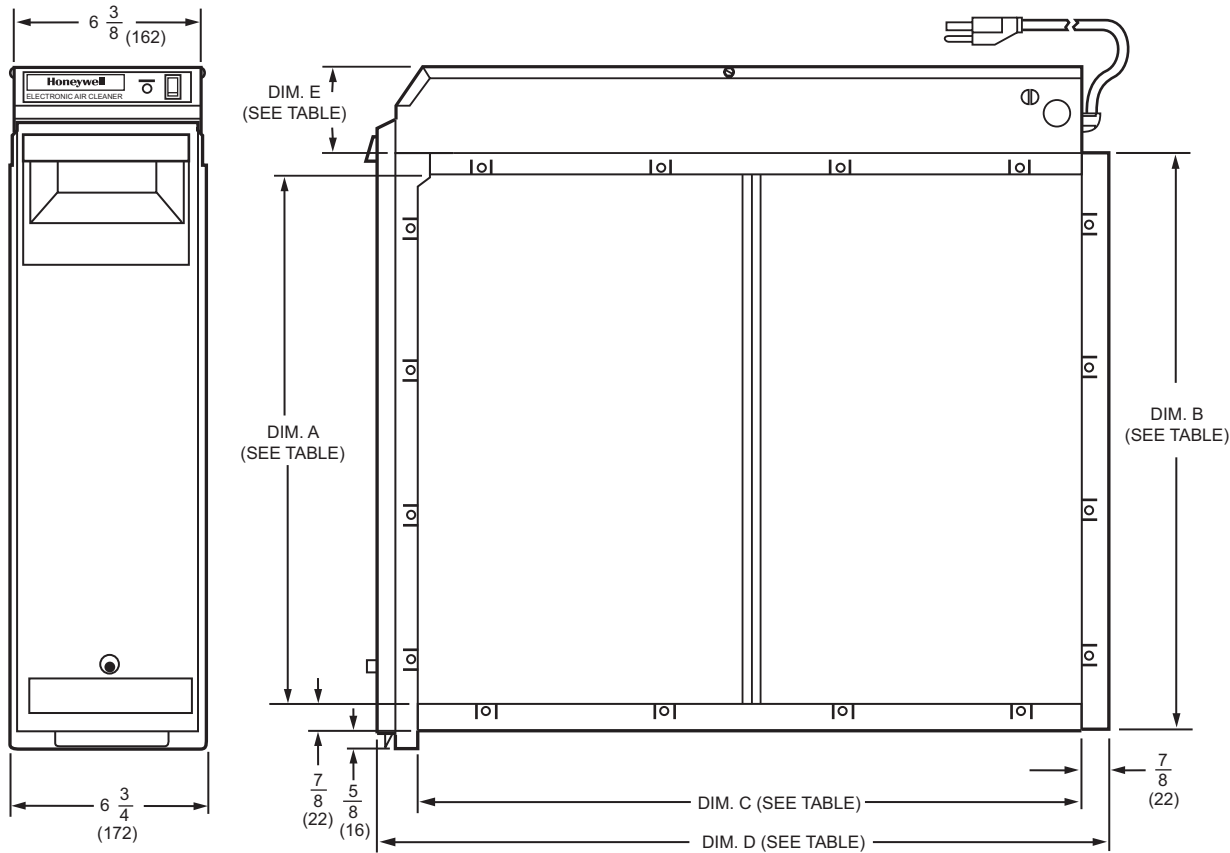
203365A Conversion Kit for changing 120V, 60 Hz power supply to 240V, 60 Hz or 220/240V, 50 Hz.
 W8600F Air Cleaner Monitor.
 W8600A AIRWATCH™ Indicator.

Repair Parts:

See Replacement Parts/Exploded View section.

Table 3. Shipping and Installed Weight.

Item	Weight									
	16 x 20 in. (406 x 508 mm)		16 x 25 in. (406 x 635 mm)		20 x 12-1/2 in. (508 x 318 mm)		20x 20 in. (508x 508 mm)		20 x 25 in. (508 x 635 mm)	
	lb	kg	lb	kg	lb	kg	lb	kg	lb	kg
Electronic Cell (each)	5	2.25	6	2.7	7-1/2	3.4	6-3/16	2.8	7-1/2	3.4
Shipping Weight	30	13.6	33	15.0	25	11.3	33	15.0	38	17.2
Installed Weight (Cells included)	26	11.6	28	12.7	21	9.5	29	13.2	33	15.0



F50F SIZE		DIM. A		DIM. B		DIM. C		DIM. D		DIM. E	
IN.	MM	IN.	MM	IN.	MM	IN.	MM	IN.	MM	IN.	MM
16 X 25	406 X 635	14 7/16	367	16 3/16	411	23 1/4	591	25 1/2	648	2 3/4	70
16 X 20	406 X 508	14 7/16	367	16 3/16	411	18 1/4	457	20 1/2	521	2 3/4	70
20 X 25	508 X 635	18 7/16	468	20 3/16	513	23 1/4	591	25 1/2	648	2 3/4	70
20 X 20	508 X 508	18 7/16	468	20 3/16	513	18 1/4	457	20 1/2	521	2 3/4	70
20 X 12 1/2	508 X 318	18 7/16	468	20 3/16	513	10 7/8	276	13 1/8	333	3 5/8	92

M2872A

Fig. 2. Electronic air cleaner installation dimensions in in. (mm).

PLANNING THE INSTALLATION

Application

The F300 Electronic Air Cleaner is used in a forced air heating, cooling, or ventilating system. It removes airborne particles from the air circulated through it. All models have an internal air flow switch that automatically energizes the air cleaner cells when the system blower is on.

Review Installation Requirements

The air cleaner should be installed where all the air passing through the system circulates through it. The best location is in the return air duct next to the blower compartment so the air cleaner can help keep the blower motor and evaporator coils clean.

IMPORTANT

Do not mount in the discharge air duct.

For most efficient air cleaning, airflow must be spread evenly across the face of the air cleaner. If the duct is a different size than the air cleaner cabinet, gradual transitions are recommended. If the duct turns sharply just before the air cleaner, turning vanes are recommended.

Applications with Air Conditioning

The air cleaner should be installed upstream from the evaporator coil. The air cleaner will help keep the coil clean, reducing maintenance.

Applications with a Humidifier

An evaporative humidifier can be mounted upstream from the air cleaner. An atomizing humidifier should be mounted downstream from the air cleaner, even though hard water salts will be blown into the living space and deposited as dust. If an atomizing humidifier must be mounted upstream from the air cleaner:

1. Mount it as far as possible upstream from the air cleaner.
2. Install a standard disposable furnace filter between the humidifier and the air cleaner to trap water droplets and hard water salts.
3. Frequently clean the air cleaner to prevent a hard water salt buildup.

NOTE: The volume of water that is discharged from an atomizing humidifier can overload the air cleaner, resulting in hard water salts being deposited as dust in the living space.

Applications with Outdoor Air Intake

Return air temperature must be at least 40°F (4°C). Lower temperatures can cause ionizer wire failure. If outdoor air is used, warm it upstream from the air cleaner by:

- Making sure the outdoor intake is far enough upstream from the air cleaner so the return and outdoor air is thoroughly mixed. Stratified air can dump a stream of very cold air into one section of the air cleaner.
- Adding baffles upstream from the air cleaner to force thorough air mixing.
- Installing a Honeywell Perfect Window™ Fresh Air Ventilation System that transfers up to 80 percent of the heat from the exhaust air to the incoming outside air. This keeps the incoming air above 40°F (4°C) and reduces energy usage.
- Installing a preheater if large amounts of outdoor air are used. The preheater, which could be an electric strip heater or hot water coil, should be controlled by a thermostat. Hot water or steam coils should be protected by a freeze-up control.

Optional W8600F Air Cleaner Monitor

The W8600F Air Cleaner Monitor can be mounted in the living area or in the furnace room. It should be located in a convenient location to observe the display.

The W8600F Air Cleaner Monitor is furnished with all the connectors needed for easy installation. Follow the installation instructions provided with the W8600F.

Optional W8600A AIRWATCH™ Indicator

The W8600A can be mounted next to the thermostat or in any other location in the living area of the home where the display can be conveniently observed. No wiring is necessary.

Choose Location

Choose a location that is readily accessible for regular inspection and cleaning. Allow at least 13 in. (330 mm) in front of the access door for removing the metal mesh prefilter, media postfilter and electronic cell. Allow enough room above the power supply so it can be serviced without removing pipes, ducts, or other heating system components.

The air cleaner must be installed where the temperature is between 40° to 125°F (4° to 52°C).

IMPORTANT

UV light can damage media postfilters. Avoid installing UV lamp downstream of F300 in location where UV light illuminates postfilter.

Choose Mounting Position

WARNING

Heavy Equipment Hazard.

Can cause injury or equipment damage.

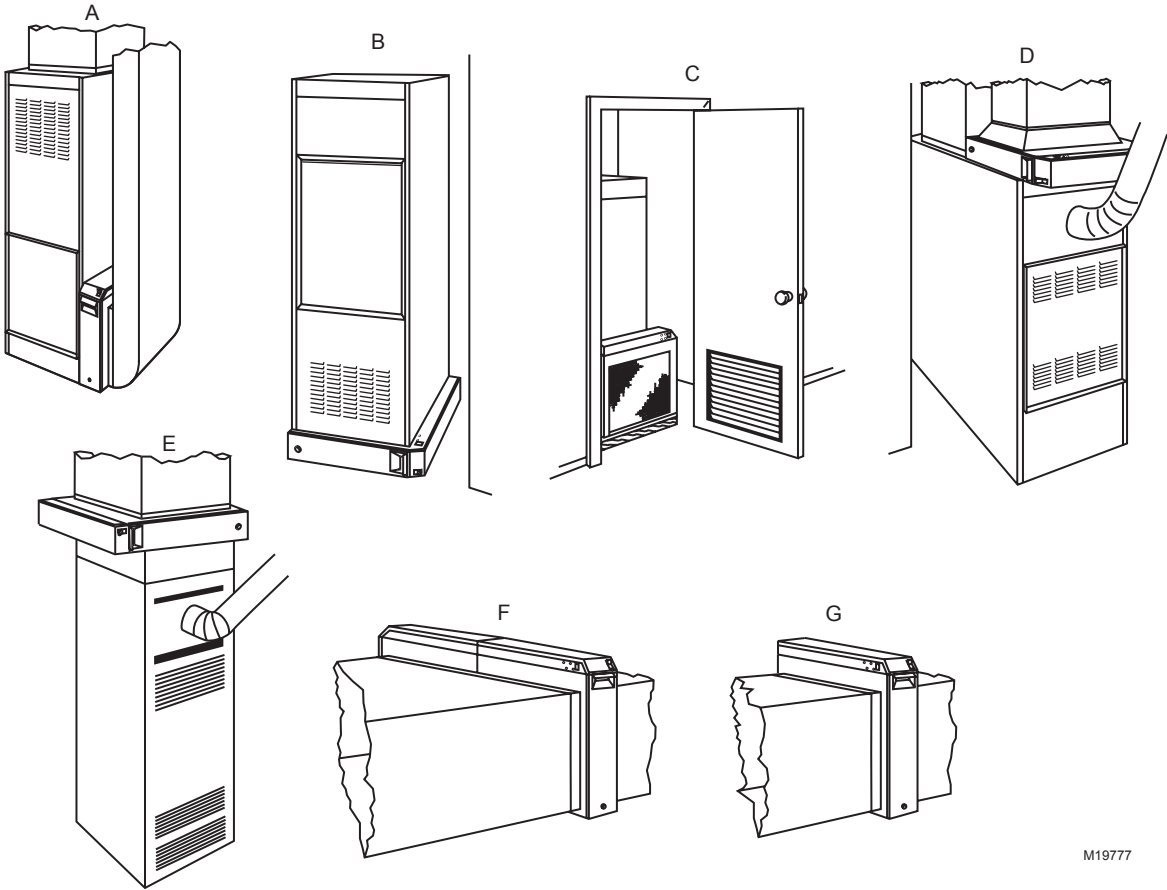
Do not mount air cleaner with access door facing down because the latch may not hold and the cell, postfilter and prefilter can fall unexpectedly.

NOTE: Nothing holds the cell, postfilter, and prefilter in place when the access door is opened.

The air cleaner can be mounted in any position except with the access door facing down. A list of air cleaner mounting positions for a variety of furnace installations follows.

NOTE: At least 13 in. (330 mm) clearance is required between the access door and any obstructions for cell, postfilter and prefilter maintenance.

- Upflow Highboy furnace: Side installation; air cleaner is mounted vertically where return enters side inlet of furnace. See Fig. 3A.
- Upflow Highboy furnace: Installation beneath furnace (air cleaner cabinet can easily support weight of furnace and air conditioner coil). Air cleaner is mounted horizontally where return enters from below. See Fig. 3B.
- Upflow Highboy furnace: Closet installation. Air cleaner is mounted vertically on furnace between furnace and louvered return air opening in closet door. See Fig. 3C.
- Lowboy furnace: Air cleaner is mounted horizontally in return plenum just above furnace, opposite of supply plenum. See Fig. 3D.
- Downflow Counterflow furnace: Air cleaner is mounted horizontally in return duct or plenum just above furnace. See Fig. 3E.
- High capacity system: Two or more air cleaners can be used together. See Fig. 3F.
- Horizontal furnace: Air cleaner is mounted vertically where return enters. See Fig. 3G.



M19777

Fig. 3. Mounting positions with variety of furnace installations.

Determine Duct Design Requirements

The air cleaner is adaptable to all new or existing air heating, cooling and ventilating systems used in residential applications. Transitions, turning vanes, or offsets may be needed in some applications for effective operation.

Transitions

Transitions are needed when the duct is a different size than the air cleaner cabinet. Gradual transitions reduce air turbulence and increase efficiency. Limit expansion to no more than 20 degrees or about 4 in. per running foot (100 mm per 300 linear mm) on each side of a transition fitting. See Fig. 4.

CHANGE DUCT SIZE GRADUALLY TO MINIMIZE TURBULENCE.

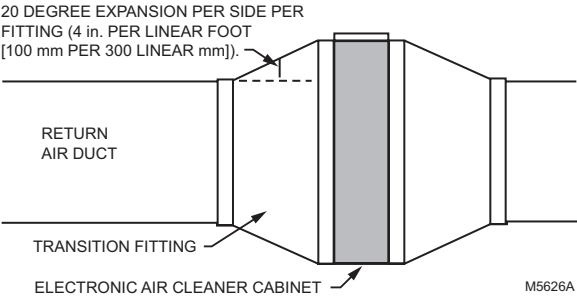


Fig. 4. Change duct size gradually to minimize turbulence.

Turning Vanes

If the air cleaner is installed close to an elbow or angle fitting, install turning vanes inside the angle to distribute airflow more evenly across the face of the cell. See Fig. 5.

Offsets

If the duct connection to the furnace in a side installation allows less than 7 in. (178 mm) for mounting the air cleaner cabinet, add an offset to the elbow. See Fig. 5.

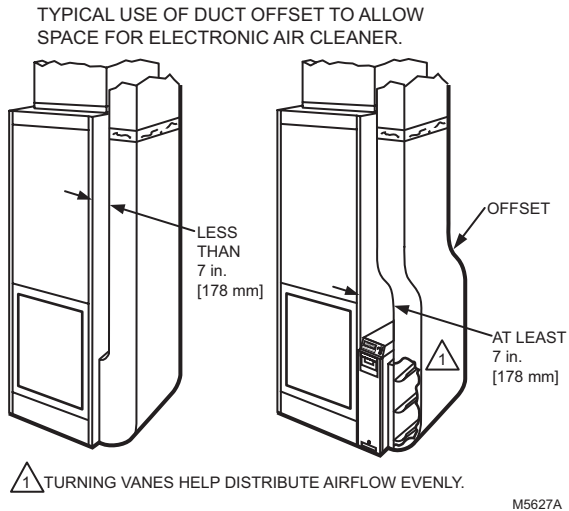


Fig. 5. Typical use of duct offset to allow space for electronic air cleaner.

INSTALLATION

When Installing this Product...

1. Read these instructions carefully. Failure to follow them could damage the product or cause a hazardous condition.
2. Check the ratings given in the instructions and on the product to make sure the product is suitable for your application.
3. Installer must be a trained, experienced service technician.
4. After installation is complete, check out product operation as provided in these instructions.

⚠ WARNING

Electric Shock Hazard.
Can cause electrical shock or equipment damage.
 Do not connect to power before installation is complete.

Unpack Electronic Air Cleaner

- ❑ Check that all components are included. The electronic air cleaner is shipped assembled. The unit consists of a galvanized steel cabinet, power supply with On-Off switch and neon light, two electronic cells, two metal mesh prefilters, two media postfilters (on select models), access door and product data literature.
- ❑ Order W8600F (optional) including mounting hardware and installation literature separately.
- ❑ Order W8600A (optional) including mounting hardware, batteries, and literature separately.

Clean Blower Compartment

- ❑ Remove and discard the existing furnace filter.
- ❑ Thoroughly clean the blower compartment.
- ❑ If possible, power vacuum the ductwork to remove accumulated dust in an existing home, or construction dirt in a new home. The electronic air cleaner cannot remove dust that has settled in the blower compartment and distribution ducts.
- ❑ Check the edges of the furnace fan blades for dirt buildup and clean as necessary. The fan will not deliver the rated cfm if the blades are dirty.

Fasten Cabinet To Furnace

NOTE: This procedure shows a side installation on a typical highboy furnace. You may need to alter the procedure to fit your application.

- ❑ Remove and set aside the access door, electronic cells metal mesh prefilters and media postfilters.
- ❑ Align the cabinet with the return air opening.
- ❑ Create opening in furnace to match air cleaner cabinet opening.
- ❑ Install a transition when the furnace and air cleaner openings are different sizes. See Fig. 4.
- ❑ Place blocks under the cabinet so the unit is firmly supported and level. The 5/8 in. (16 mm) mounting foot on the cabinet hinge plate provides the minimum clearance required for the access door hinge.
- ❑ Attach the cabinet securely to the furnace. The unit can be attached directly, as shown, or a starting collar can first be fitted in the furnace opening. Either drill holes and fasten with sheet metal screws or rivets, or use slip joints. See Fig. 6.

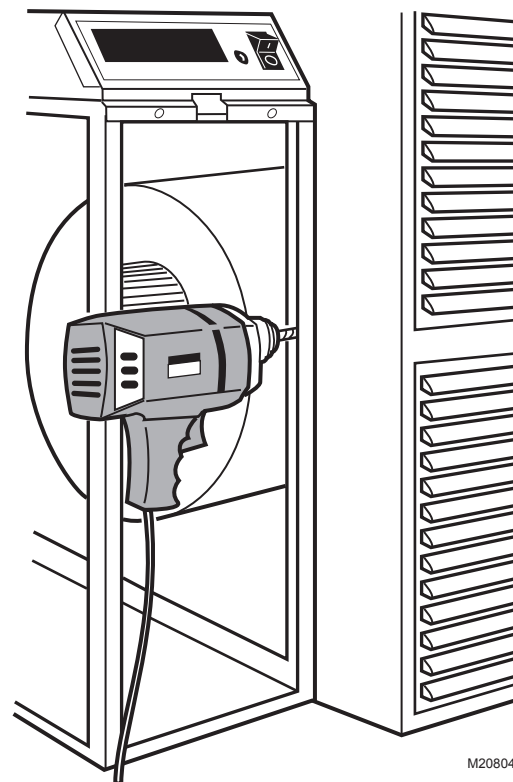


Fig. 6. Fasten cabinet to furnace.

Install Turning Vanes

- Mount turning vanes inside the elbow or angle fitting that is directly against the air cleaner cabinet. See Fig. 4.

Fasten Cabinet To Ductwork

- Install a transition when the opening in the air cleaner cabinet and the duct are different sizes. See Fig. 4.
- Fasten the other side of the cabinet to the elbow using sheet metal screws, rivets, or slip joints as appropriate. If drilling holes, use locking pliers to help hold the unit in place during drilling. See Fig. 7.

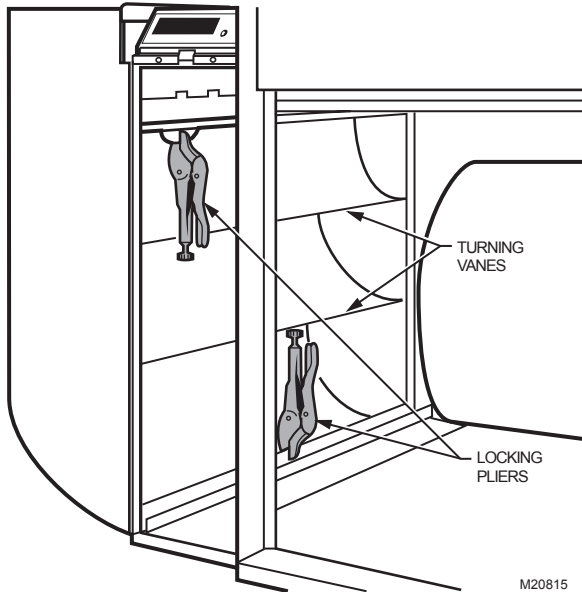


Fig. 7. Connect ductwork to air cleaner. (Note turning vanes. Locking pliers hold duct to air cleaner cabinet during installation.)

Seal Joints

- Seal all joints in the return air system between the air cleaner and the furnace to prevent dust from entering the clean airstream. Use optional air cleaner cabinet gasket kit (part no. 32002109-001), mastic or foil tape.

Position Cell Key

The electronic cell must always be installed so the ionizer section is on the upstream side. A factory-installed cell key on the bottom of the cabinet allows the cell to be inserted in only one direction. If the arrow molded into the plastic key points in the same direction as the airflow, the ionizer is always on the upstream side.

If position of the key must be reversed, proceed as follows:

1. Remove the electronic cell.
2. Remove the screw holding the cell key in place. See Fig. 8.

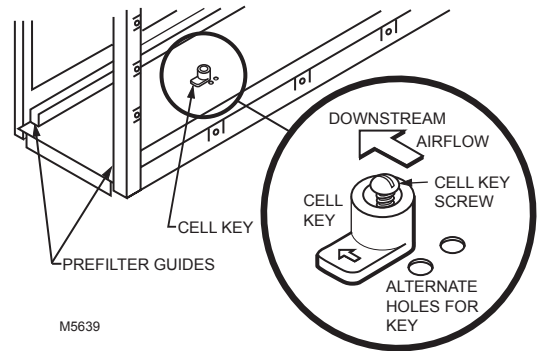


Fig. 8. Position of cell key determines orientation of cell (arrow on key must point downstream).

3. Turn the key around and place it over the opposite holes. The tab on the bottom fits into the larger hole, and the screw fits into the smaller hole. Make sure the arrow on the key points in the direction of the air flow (downstream).
4. Tighten the screw into the new hole.
5. Insert the electronic cell. The ionizer section will now be on the air-entering (upstream) side of the cabinet.

Attach Cell Handles

Cell handles included with the air cleaner must be installed on the end of the cell closest to the access door. To install:

1. Orient the cell as it will be when installed. The gray contact board must be up and the airflow arrow stamped into the cell must point downstream.
2. Hold the handle sideways and insert the solid tab on the back of the handle into the slot in the cell. Turn the handle 90 degrees clockwise to align the divided tab with the square hole. See Fig. 9.

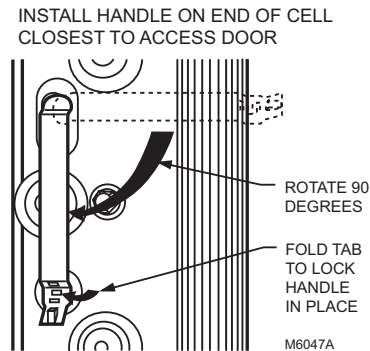


Fig. 9. Install the handle on the end of the cell closest to the access door.

3. Insert the divided tab into the square hole.
4. Fold up the wedge and insert it into the divided tab to lock the handle in place. If necessary, press with a blunt instrument like the end of a pliers.

1. Open access door.
2. Remove and retain the two screws from the front of the power box and the two screws from the sides of the power box. See Fig. 11.
3. In the power box, remove and retain two wire nuts that connect the line cord leads to the power box wiring.
4. Remove the power cord green lead from the green grounding screw on the wiring compartment barrier.
5. Remove the power cord and the strain relief.
6. Install the plug (provided with the literature pack) in the hole left by the power cord.
7. Attach conduit through a power box side knockout.
8. Wire the air cleaner directly to line voltage using wire nuts. See Fig. 12. Secure ground connection to the green ground screw on the wiring compartment barrier.
9. Replace power supply cover and access door.

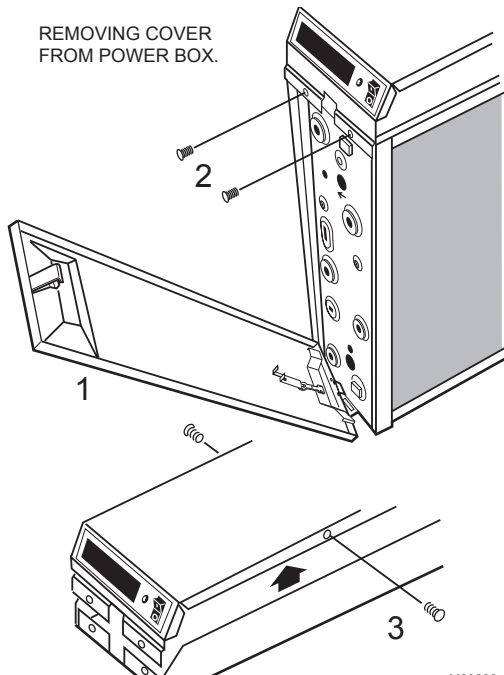


Fig. 11. Removing cover from power box.

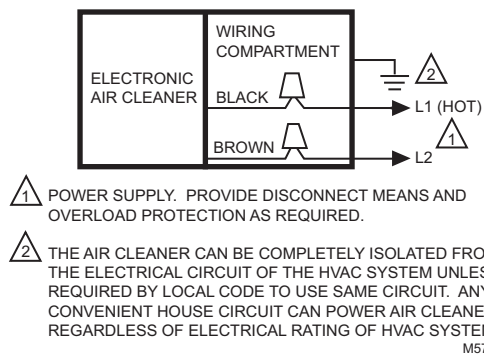


Fig. 12. Conduit connection for electronic air cleaner.

OPERATION

Large particles (lint, hair) are caught by the prefilter. As the dirty air passes through the intense high voltage electric field surrounding the ionizer wires, all particles are given an electrical charge.

The air then moves through the collector part of the cell where alternate parallel plates are charged positively and negatively, creating a uniform electrostatic field. The charged particles are attracted to and collect on the plates that have the opposite electrical charge.

The air then passes through media postfilters, removing additional particles from the air stream. The air leaving the air cleaner has fewer particles. Each time the air circulates through the electronic air cleaner, more particles are removed.

CHECKOUT

Inspect the Installation

Make sure:

- Turning vanes and transitions, as needed, are correctly installed.
- Sheet metal joints between air cleaner and furnace are sealed.
- All sheet metal connections are complete.
- Original furnace filter has been removed and the blower compartment cleaned.
- If atomizing humidifier is installed upstream from the air cleaner, a disposable furnace filter is installed between the humidifier and the air cleaner.
- Outside air, if used, is mixed with return air or heated, as necessary, before it can reach the air cleaner.
- Airflow arrows on the electronic cell point downstream.
- Metal mesh prefilter is on the upstream side and media postfilter is on downstream side of the cell.
- Cell handle faces outward.
- Electronic cell and prefilter are clean and dry.
- W8600F wiring connections are correctly made.

Check Air Cleaner Operation

With all components in place, turn on air cleaner switch and energize system blower. Check following points of operation:

1. The neon light next to the On-Off switch is on. The neon light shows that the air cleaner is energized and the high voltage power supply is working correctly. If a W8600F is part of the installation, also check the wall panel and make sure the On indicator is lit. The W8600F Fault indicator comes on if there is a problem with the high voltage power supply.
2. Turn off the system blower. The neon light should go off after a few seconds.
3. Turn on the system blower. With the air cleaner energized, push the test button. A snapping sound indicates that the collector voltage is present on the cell.
4. With a multispeed blower, repeat steps 1 through 3 for each fan speed.

SERVICE



CAUTION

Sharp Edges.

Can cause personal injury.

Carefully handle the cell(s) or wear protective gloves to avoid cuts from the sharp metal edges.

Cleaning the Cells and Prefilters

To assure optimum performance from the air cleaner, the cells and prefilters must be cleaned regularly and the postfilters replaced regularly—every one to six months. Washing frequency varies, depending on the number of family members, pets, activities (such as cooking or woodworking) and smoking habits. Use the Service Reminder Schedule at the end of this document to help establish and maintain a regular cleaning schedule. Keep your Service Reminder Schedule in a convenient location.

NOTE: Media postfilters should be replaced rather than cleaned. See Replacing Media Postfilters section.

If the air cleaner has a W8600F Air Cleaner Monitor, the SERVICE indicator activates to indicate filter and cell maintenance are due. The time between activation of the SERVICE indicator is based on air cleaner run time that is selected by the installer at installation.

If the air cleaner has a W8600A AIRWATCH Indicator, the Air Cleaner LCD arrow blinks to indicate it is time to service the cells and prefilters. The time between activations of the Air Cleaner LCD is based on calendar time that is selected at installation.

NOTE: To let the heating or air conditioning system operate normally while the cells are being washed, simply turn off the air cleaner switch.

IMPORTANT

Vacuum the prefilter or brush or soak it in a tub. Do not wash the prefilter in the dishwasher or car wash.

Automatic Dishwasher



CAUTION

Burn Hazard.

Can cause personal injury.

Allow cells to cool completely in dishwasher at end of wash cycle or wear protective gloves to avoid burns. Hot water can accumulate in the tubes supporting collector plates; tip cells so tubes drain.

IMPORTANT

- Check the dishwasher owner's manual. Some manufacturers do not recommend washing electronic cells in their dishwashers.
- If the dishwasher has upper and lower arms, position the cells carefully to allow good water circulation.
- Be careful to avoid damaging the cells when placing them in the dishwasher. Broken ionizer wires or bent collector plates are not included in the warranty.
- Very dirty cells, especially from tobacco or cooking smoke, can discolor the plastic parts and the lining of some dishwashers. This discoloration is not harmful. To minimize it, wash the cells more frequently or try a different brand of detergent.
- **Do not allow the dishwasher to run through the dry cycle.** This bakes on any contaminants not removed during the wash cycle and reduces air cleaner efficiency.

1. Put the cells on the lower rack of the dishwasher with the airflow arrow pointing up. It may be necessary to remove the upper rack. Do not block water flow to the upper arm.

NOTE: Lay a few large water glasses between the spikes on the lower rack and rest the cell(s) on them so the spikes do not damage the aluminum collector blades.

2. Using regular dishwasher detergent, allow the dishwasher to run through the complete wash and rinse cycle. **Do not use the dry cycle.** To avoid burns, let the cells cool completely before removing, or wear protective gloves when removing the cells. Remember that water may be trapped inside the cells. Tip the cells so the tubes can drain.
3. Wipe ionizer wires and contact board on the end of the cell using thumb and forefinger with a small, damp cloth.
4. Inspect the dishwasher. Rerun wash and/or rinse cycle with the dishwasher empty if there is dirt or residue from washing the cells. If dirt or residue seems excessive, wash cells more often or try a different detergent.

Washing Cells in a Container



CAUTION

Hazardous Chemical.

Can cause personal injury.

Do not splash detergent solution in eyes. Wear rubber gloves to avoid prolonged detergent contact with skin. Keep detergent and solution out of reach of children.

NOTE: Always wash the cells first, then the prefilters, to keep heavy prefilter lint from getting caught in the cells.

1. Use a large enough container, such as a laundry tub or trash container, to hold one or both cells.

NOTE: Sharp corners on cells can scratch surface of bathtub.

2. Dissolve about 3/4 cup of automatic dishwasher detergent per cell in enough hot water to cover the cells. If detergent does not dissolve readily, or forms a scum on the water, try another brand, or use softened water
3. After detergent has completely dissolved, place cells in the container and let soak for 15 to 20 minutes. Agitate up and down a few times and remove. See Fig. 13.

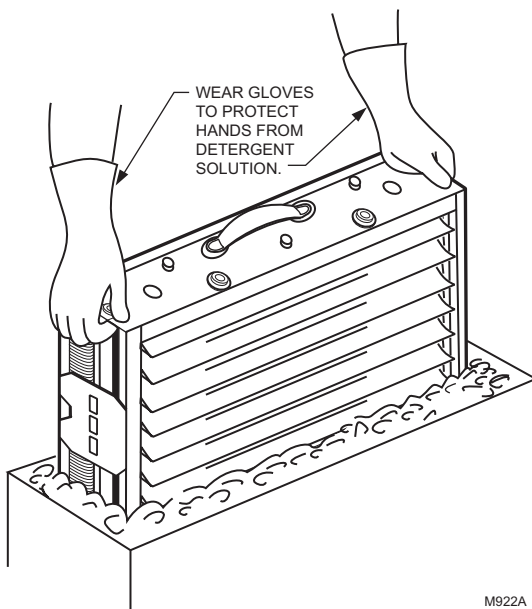


Fig. 13. Washing cells in container.

4. Next, wash the prefilters the same way. Empty and rinse the wash container.
5. Rinse the cells and prefilters with a hard spray of very hot water; rinse the tub clean, then fill the tub with clean hot water and soak for 5 to 15 minutes. Rinse until the water draining from the cells and prefilters no longer feels slippery.
6. Soak cells and prefilters in a final clear water rinse for ten minutes.

7. Wipe ionizer wires and contact board on end of cell using your thumb and forefinger with a small, damp cloth.

Washing Cells at the Car Wash

Use the hand sprayer at a coin-operated do-it-yourself car wash to clean the cells. Hold the nozzle at least two feet away from the unit to avoid damage (such as broken ionizer wires or bent collector plates) from the high pressure stream of water. See Fig. 14. Follow the same sequence of wash and rinse as recommended for cars. However, do not wax the cells. Be sure to rinse until the water draining from the cells no longer feels slippery.

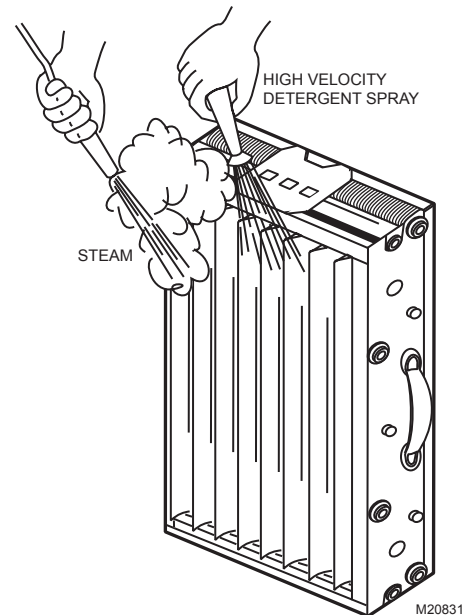


Fig. 14. Washing cells at car wash.

Reinstall the Cells and Prefilters

1. Inspect the cells for broken ionizer wires and bent collector plates. Repair as necessary or take to a Honeywell Authorized Air Cleaner Repair Station.
2. Slide the prefilters into the upstream prefilter guides.
3. Slide in the air cleaner cells so the airflow arrow points downstream and the handles faces outward.
4. Firmly close the access door.
5. Turn on the air cleaner. If the cells and prefilters are wet, the neon light may not come on and you may hear arcing. If the arcing is annoying, simply turn off the air cleaner for two to three hours or until the cells are dry.

Replacing Media Postfilters

To maximize the filtration efficiency of the media postfilters, replace them every six months. Replacement filters are available in the same size and configuration as the original unit. Contact your local Honeywell distributor to purchase replacement filters. Install the replacement filters exactly as the filters provided with the equipment. Use the Service Reminder Schedule at the end of this document to help you establish and maintain a regular replacement schedule. Keep your Service Reminder Schedule in a convenient location.

Replacing Ionizer Wires

Broken or bent ionizer wires can cause an electrical short to ground, often resulting in visible arcing or sparking. Do not use cells until broken wires are removed. Cells can be used temporarily with one wire missing, but replace the wire as soon as possible.

Replacement wires are supplied cut to length with eyelets on both ends for easy installation. See Parts and Accessories Not Illustrated section. To install:

1. Hook the eyelet on one end of the wire over the spring connector on one end of the cell. See Fig. 15. Be careful to avoid damaging spring connectors or other parts of the cells.
2. Hold the opposite eyelet with a needle nose pliers and stretch the wire the length of the cell. Depress the opposite spring connector and hook the eyelet over it.
3. Check the cell for short circuits using an ohmmeter; see Fig. 16. Check the resistance between the frame of the cell and both the ionizer and the collector contacts. In each case, the resistance should be infinite.

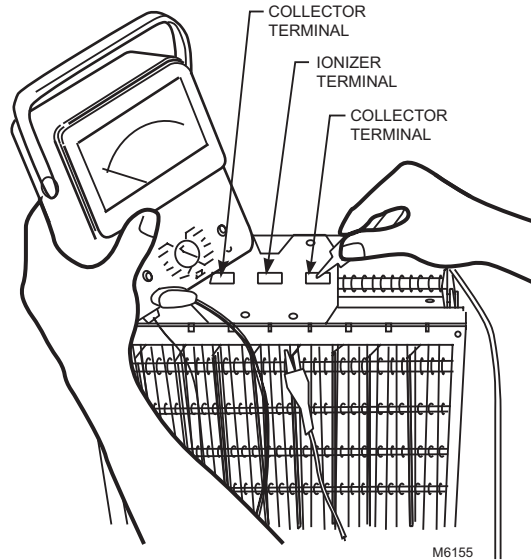
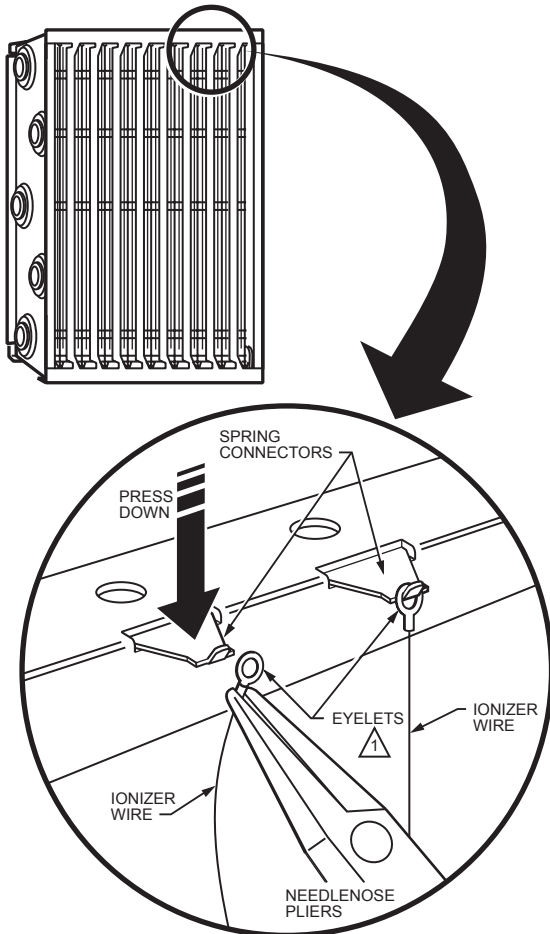


Fig. 16. Use ohmmeter to check electronic cells for short circuits.

REPLACING AN IONIZER WIRE.



△ TWO EYELETS HOLD IONIZER WIRE TO CELL. M1540B

Fig. 15. Replacing an ionizer wire.

Modification to Reduce Ozone Odor

⚠ CAUTION

Electric Shock Hazard.

Can cause personal injury.

Always disconnect power and open access door before opening power supply cover.

The electronic air cleaner generates a small amount of ozone in normal operation. During the first week or two of operation, the amount may be higher because of sharp edges on some of the new high voltage metal parts. Normal use quickly dulls these edges.

The average person can detect the odor of ozone in concentrations as low as 0.003 to 0.010 parts per million (ppm). The electronic air cleaner contributes 0.005 to 0.010 ppm of ozone to the indoor air. The U.S. Food and Drug Administration and Health and Welfare Canada recommend that indoor ozone concentration should not exceed 0.050 ppm. As a comparison, the outdoor ozone level in major cities is sometimes as high 0.100 ppm.

However, if desired, the ozone generated by the air cleaner can be reduced in one of two ways:

1. Install an activated carbon filter downstream from the air cleaner. Make sure particles from the air filter cannot fall into the air cleaner.

! WARNING

Electric Shock Hazard.

Can cause personal injury.

Only a trained service technician should perform the following procedure.

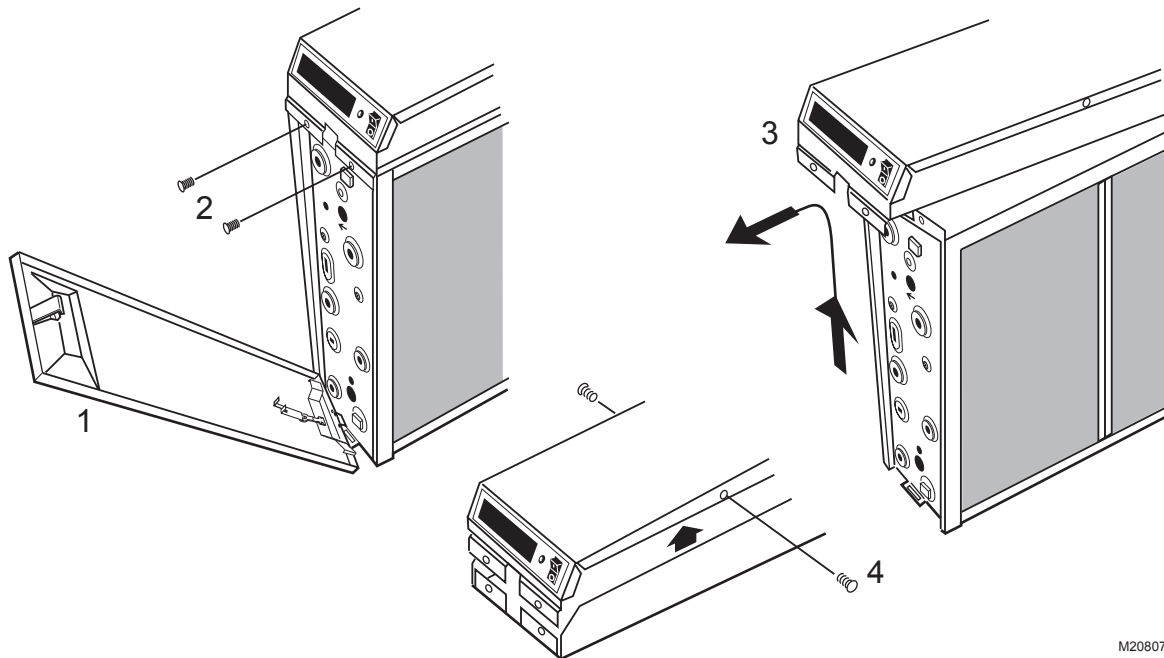
2. Move J5 shorting bar. This will reduce ozone production about 20 to 25 percent and reduce efficiency about seven to ten percent, depending on actual airflow delivered by the furnace blower.

- a. Unplug or disconnect power supply to the air cleaner.
- b. Open the access door.
- c. Remove the power box cover. See Fig.17.
- d. Locate J5 shorting bar on the power supply. See Fig. 18. Remove the shorting bar and reinstall on only one pin.

NOTE: The ozone will be reduced, but the shorting bar is available for reinstallation if needed.

- e. Replace the power supply cover and access door. Turn on the power.
- f. Repeat checkout procedure before leaving the job.

REMOVE POWER BOX FROM AIR CLEANER AND REMOVE THE COVER.



M20807

Fig. 17. Remove power box from air cleaner and remove cover.

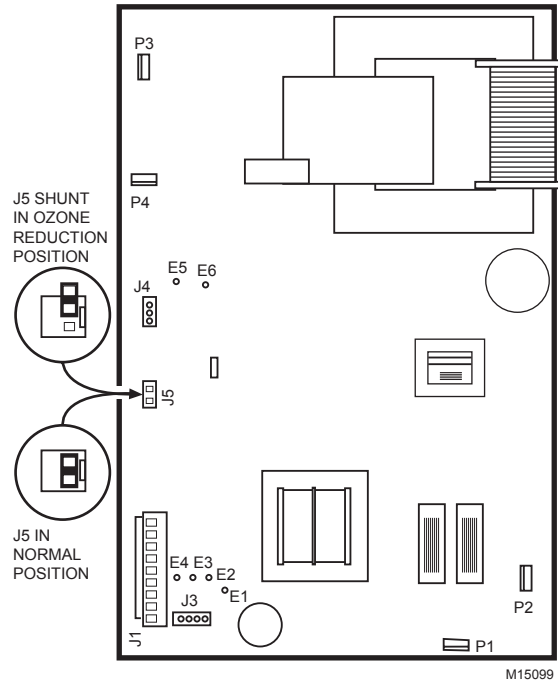


Fig. 18. Move J5 shorting bar to reduce ozone production about 20 to 25 percent.

REPLACEMENT PARTS (TABLE 4)/EXPLODED VIEW (FIG. 19)

Table 4. Replacement Parts.

No.	Description	Nominal Return Air Opening				
		16 x 20 in. (406 x 508 mm)	16 x 25 in. (406 x 635 mm)	20 x 12-1/2 in. (508 x 318mm)	20 x 20 in. (508 x 508 mm)	20 x 25 in. (508 x 635 mm)
1	F300 Door includes No. 2	32007528-003	32007528-003	N/A	32007528-002	32007528-002
2	Test Button Assembly	137980A (1)	137980A (1)	137980A (1)	137980A (1)	137980A (1)
3	Electronic Cell	FC37A1114 (2)	FC37A1130 (2)	FC37A1064 (1)	FC37A1049 (2)	FC37A1064 (2)
4	Cell Handle	137266 (2)	137266 (2)	137266 (1)	137266 (2)	137266 (1)
5	Prefilter (without spring clips)	209989 (2)	203368 (2)	203369 (1)	203370 (2)	203369(2)
6	Cell Key	136518 (1)	136518 (1)	136518 (1)	136518 (1)	136518 (1)
7	F300 Power Box Assembly Series Two ^b . Includes No. 8–20. 120V, 60 Hz. White Cover.	208418J (1)	208417S (1)	208419D ^d	208418H (1)	208417R (1)
	240V, 60 Hz ^c			208419B ^b		
8	Switch	203321 (1)	203321 (1)	203321 (1)	203321 (1)	203321 (1)
10	F300 Power Supply, Series Two ^b . 120V, 60 Hz	208045J (1)	208045G(1)	208045G	208045G (1)	208045G (1)
	240V, 60 Hz	N/A ^c	N/A ^c	N/A	N/A ^c	N/A ^c
11	Interlock Bracket and Switch	4074ETG (1)	4074ETG (1)	4074ETG (1)	4074ETG (1)	4074ETG (1)
12	W8600 Terminal Strip	Supplied with W8600F				
13	Terminal Board Assembly Front	203329B (1)	203329B (1)	N/A	N/A	203329B (1)
14	Terminal Board Assembly Rear	203329A (1)	203329A (1)	N/A	203329A (1)	203329A (1)
17	Line Cord	4074ETD (1)	4074ETD (1)	4074ETD (1)	4074ETD (1)	4074ETD (1)
19	Neon Assembly	4074EYS (1)	4074EYS (1)	4074EYS (1)	4074EYS (1)	4074EYS (1)
20	Airflow Switch, pin connection	4074ETH (1)	4074ETH (1)	4074ETH (1)	4074ETH (1)	4074ETH (1)
20	Airflow Switch, plug connection	4074EZB (1)	4074EZB (1)	N/A	4074EZB (1)	4074EZB (1)
21	FC37A Bag Assembly for cell repair. Contains: 2 Connector Clips, 1 Terminal Board and instructions	4074EHG	4074EHG	4074EHG	4074EHG	4074EHG
22	Post Filter (optional)	50000293-001	50000293-002	50000293-004	50000293-003	50000293-004

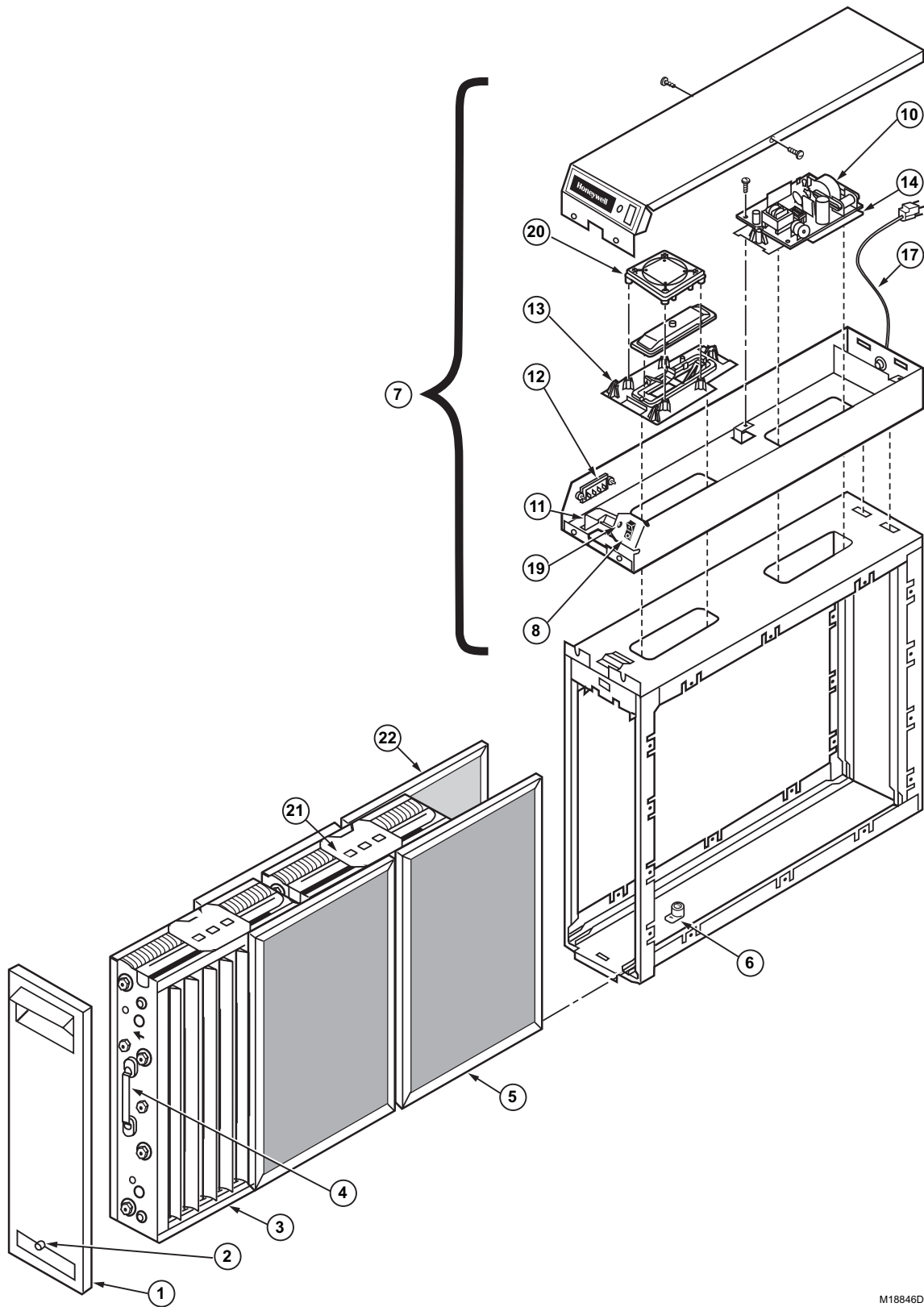
^b Series Two compatible with W8600F.

^c Use 203365A Conversion Kit for charging 120V, 60 Hz model to 240V, 60 Hz.

^d Change from brown cover to white cover as a running change. Use original cover for color match.

(#) = Quantity required per unit.

N/A = Not available as merchandised part.



M18846D

Fig. 19. F300 Electronic Air Cleaner (2-cell model shown) exploded view of components. Part Numbers are keyed to Parts List.

PARTS AND ACCESSORIES NOT ILLUSTRATED (TABLE 5)

Table 5. Parts and Accessories Not Illustrated.

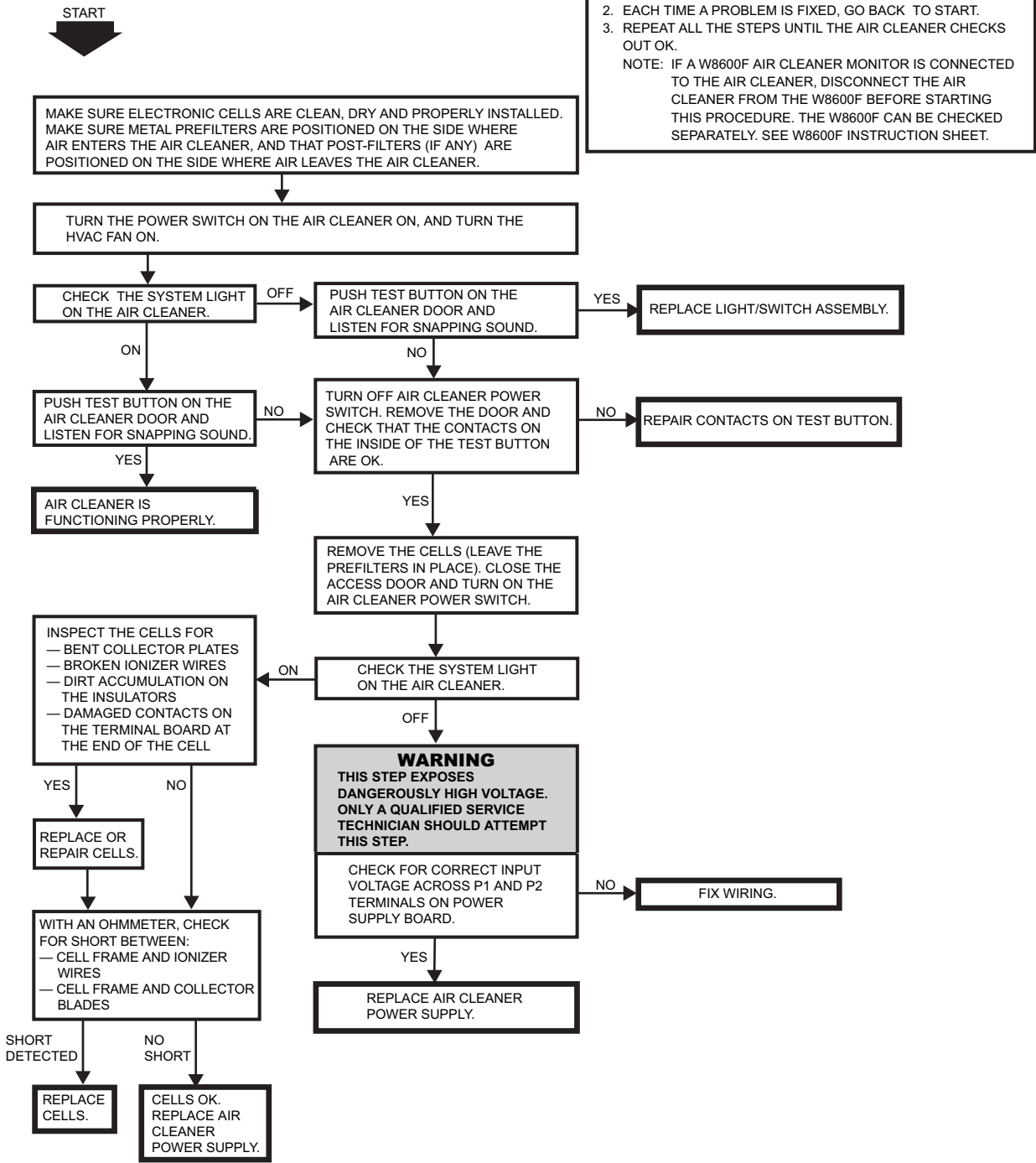
Description	Nominal Return Air Opening				
	16 x 20 in. (406 x 508 mm)	16 x 25 in. (406 x 635 mm)	20 x 12-1/2 in. (508 x 318)	20 x 20 in. (508 x 508 mm)	20 x 25 in. (508 x 635 mm)
Air Cleaner Cabinet Gasket Kit	32002109-001	32002109-001	32002109-001	32002109-001	32002109-001
Ionizer Wires (Multiples of 5)	136434BA	136434BA	136434AA	136434AA	136434AA
Premier White® AIRWATCH® Indicator	W8600A1007	W8600A1007	W8600A1007	W8600A1007	W8600A1007
Premier White® Air Cleaner Monitor	W8600F1014	W8600F1014	W8600F1014	W8600F1014	W8600F1014
240V Conversion Kit	203365A	203365A	N/A	203365A	203365A

(#) = Quantity required per unit.

N/A = Not available as merchandised part.

Obsolete (available while supplies last)

ELECTRONIC AIR CLEANER TROUBLESHOOTING GUIDE



TO USE THIS CHART:
 1. FOLLOW THE STEPS IN ORDER; DO NOT SKIP AROUND.
 2. EACH TIME A PROBLEM IS FIXED, GO BACK TO START.
 3. REPEAT ALL THE STEPS UNTIL THE AIR CLEANER CHECKS OUT OK.
 NOTE: IF A W8600F AIR CLEANER MONITOR IS CONNECTED TO THE AIR CLEANER, DISCONNECT THE AIR CLEANER FROM THE W8600F BEFORE STARTING THIS PROCEDURE. THE W8600F CAN BE CHECKED SEPARATELY. SEE W8600F INSTRUCTION SHEET.

THIS AIR CLEANER PRODUCES A TRACE LEVEL OF OZONE AS A BY-PRODUCT OF NORMAL OPERATION, WHICH IS WELL UNDER THE LIMIT PRESCRIBED BY THE U.S. F.D.A. PLEASE REFER TO YOUR OWNERS MANUAL FOR FURTHER INFORMATION. FOR A REPLACEMENT OWNERS MANUAL, CALL 1-800-468-1502 OR VISIT <http://yourhome.honeywell.com>

WARNING
 INCORRECT CONVERSION TO MEDIA AIR CLEANER CAN CAUSE FIRE HAZARD. WHEN CONVERTING AN ELECTRONIC AIR CLEANER TO A MEDIA AIR CLEANER THE POWER SUPPLY MUST BE REMOVED OR PERMANENTLY DISABLED.

M13656

Fig. 20. Troubleshooting Guide.

Honeywell

Choose better indoor air for your family by installing Honeywell solutions. You'll enhance your comfort and peace of mind.



Ultraviolet Air Treatment Systems

Zap airborne germs and prevent mold spore growth on air conditioning coils



Whole-House Air Cleaners

Trap a high percentage of airborne particles of the air passing through it



Whole-House Humidifiers

Moisturize air—40% to 60% humidity is ideal for minimizing adverse health effects



Zoning Systems

Control temperature by area in your home, saving energy and improving comfort



PerfectWindow® Air Exchangers

Ventilate your home to assure fresh air while minimizing energy loss



Programmable Thermostats

Save up to 30% in annual energy costs with this easy-to-use thermostat*

*depending on geography and usage

M18621

Automation and Control Solutions

Honeywell International Inc.
1985 Douglas Drive North
Golden Valley, MN 55422
customer.honeywell.com

Honeywell Limited-Honeywell Limitée
35 Dynamic Drive
Scarborough, Ontario M1V 4Z9

® U.S. Registered Trademark
© 2006 Honeywell International Inc.
68-0240EF-5 M.S. Rev. 06-06



Printed in U.S.A. on recycled paper containing at least 10% post-consumer paper fibers.

Honeywell

Filtre à air électronique F300

DONNÉES TECHNIQUES



APPLICATION

Le filtre à air électronique F300 s'installe dans la gaine de reprise d'air dans un système de chauffage, de refroidissement ou de ventilation à air pulsé. Il retient un très grand nombre de particules en suspension dans l'air, de 0,3 micron et plus, qui le traversent.

CARACTÉRISTIQUES

- Post-filtres à fibres qui permettent d'obtenir une filtration améliorée.
- Offert en cinq tailles qui conviennent à la plupart des gaines d'air : s'adapte à l'écoulement d'air d'un côté ou de l'autre.
- Débit variant de 1 000 pi³/min (2 040 m³/h) à 2 000 pi³/min (3 400 m³/h) selon la taille.
- Bloc d'alimentation à semi-conducteurs auto-régulateur qui maintient l'efficacité de pointe du filtre à air peu importe le degré d'encrassement des cellules.
- Perte de charge faible.
- Moniteur de filtre à air W8600F offert en option renseigne sur le rendement du filtre, rappelle au propriétaire de nettoyer les cellules, de laver le pré-filtre et de vérifier le système.
- Indicateur sans fil à cristaux liquides W8600A AIRWATCH^{md} offert en option rappelle au propriétaire quand laver les cellules. Il rappelle également quand remplacer les lampes UV et les écrans évaporateurs de l'humidificateur.
- Boîtier en acier galvanisé protégeant l'appareil contre la corrosion.
- Lampe-témoin au néon indiquant si le filtre à air est en marche et sous haute tension.
- Pré-filtre qui protège les cellules contre les grosses particules de saleté.
- Bouton d'essai qui permet de vérifier le fonctionnement du système.

Table des matières

Application	1
Caractéristiques	1
Fiche Technique	2
Planification de l'installation	5
Installation	7
Fonctionnement	11
Vérification	11
Maintenance	12
Pièces de rechange/vue exposée	17



FICHE TECHNIQUE

IMPORTANT

Les caractéristiques techniques indiquées dans la présente publication ne comprennent pas les tolérances normales de fabrication. Par conséquent, il se peut que l'appareil ne corresponde pas exactement aux caractéristiques indiquées. De même, le produit a été mis à l'essai et étalonné dans des conditions entièrement contrôlées et on peut s'attendre à de légères différences de fonctionnement si ces conditions sont modifiées.

Modèle :

F300E Filtre à air électronique avec boîtier, porte d'accès, bloc d'alimentation à semi-conducteurs, deux cellules électroniques, deux préfiltres en mailles métalliques et deux post-filtres à fibres.

F300A,B Filtre à air électronique avec boîtier, porte d'accès, bloc d'alimentation à semi-conducteurs, deux cellules électroniques et deux préfiltres en mailles métalliques.

Caractéristiques électriques nominales :

Tension et fréquence : 120 V, 60 Hz., 240V, 120Hz. Peut être converti en clientèle en un modèle de 240 V, 60 Hz ou de 220/240 V, 50 Hz au moyen de l'ensemble 203365A.

Consommation d'énergie : 36 W maximum.

Appel de courant : Voir le Tableau 1.

Tension de l'ionisateur : 8 150 V c.c.

Tension du collecteur : 4 075 V c.c.

Tableau 1. Appel de courant.

Encombrement		Nbre de cellules	Courant max (A)	
mm	po		120 V	220/240 V
406 x 635	16 x 25	2	0,4	0,2
508 x 635	20 x 25	2	0,4	0,2
406 x 508	16 x 20	2	0,4	0,2
508 x 508	20 x 20	2	0,4	0,2
508 x 318	20 x 12 1/2	1	0,4	0,2

Décomposition de l'efficacité :

Les caractéristiques nominales de l'efficacité proviennent de la norme American Society of Heating, Refrigerating and Air-Conditioning Engineers Standard 52.2-1999. Les pourcentages d'efficacité sont définis pour les petites particules, $E_1 = 0,3$ à 1 micron; particules moyennes, $E_2 = 1,0$ à 3,0 microns; et les grosses particules, $E_3 = 3,0$ à 10 microns.

Tableau 2. Décomposition de l'efficacité.

Avec post-filtres à fibres :	Sans post-filtres à fibres :
$E_1 =$ jusqu'à 81 % à 492 pi ³ /min.	$E_1 =$ jusqu'à 73 % à 492 pi ³ /min.
$E_2 =$ jusqu'à 93 % à 492 pi ³ /min.	$E_2 =$ jusqu'à 88 % à 492 pi ³ /min.
$E_3 =$ jusqu'à 99 % à 492 pi ³ /min.	$E_3 =$ jusqu'à 95 % à 492 pi ³ /min.

POUR COMMANDER

Au moment d'acheter des produits de modernisation ou de remplacement auprès de votre grossiste ou distributeur TRADELINE®, consultez le catalogue TRADELINE® ou les tarifs pour obtenir le numéro de pièce.

Prière d'adresser toute question additionnelle, demande d'information ou commentaires sur les produits et services par écrit ou par téléphone :

1. Au bureau des ventes de produits de régulation et d'automatisation Honeywell de votre localité (consulter les pages blanches de l'annuaire téléphonique).
2. À Honeywell Customer Care
1885 Douglas Drive North
Minneapolis, Minnesota 55422-4386

Au Canada : Honeywell Limited-Honeywell Limitée, 35 Dynamic Drive, Scarborough (Ontario) M1V 4Z9. Points de vente et de service dans toutes les grandes villes du monde. Usines en Allemagne, en Australie, au Canada, en Espagne, aux États-Unis, en Finlande, en France, au Japon, au Mexique, aux Pays-Bas, au Royaume-Uni et à Taiwan.

EFFICACITÉ ET PERTE DE CHARGE DU FILTRE À AIR À DIVERS DÉBITS D'AIR

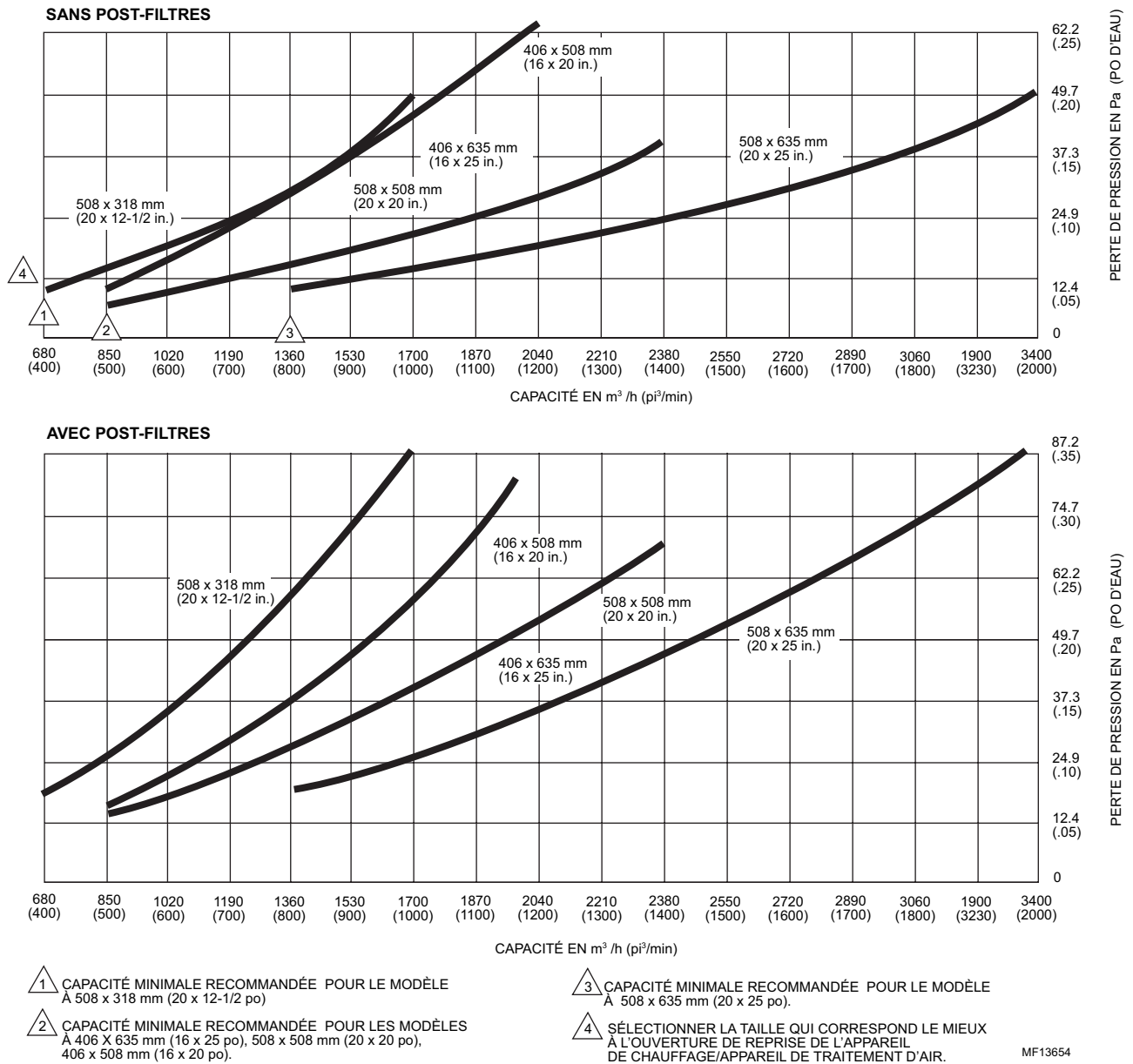


Fig. 1. Chute de pression par rapport au débit d'air.

Température Ambiante Nominale :

En service : 4 °C à 52 °C (40 °F à 125 °F).
 Air traversant les cellules : 4 °C à 52 °C (40 °F à 125 °F).
 Température maximale de lavage des cellules : 140°C (220 °F).
 À l'expédition et à l'entreposage : -40 à 60 °C (-40 à 140 °F).

Installation :

S'installe dans la gaine de reprise d'air d'un système de chauffage, de refroidissement et de ventilation à air pulsé. Devrait être installé en amont d'un humidificateur atomiseur. Voir la section Planification de l'installation.

Poids : Voir le Tableau 3.

Encombrement : Voir la Fig. 2.

Répertoriés U.L. : n° de dossier E30954.

Accessoires :

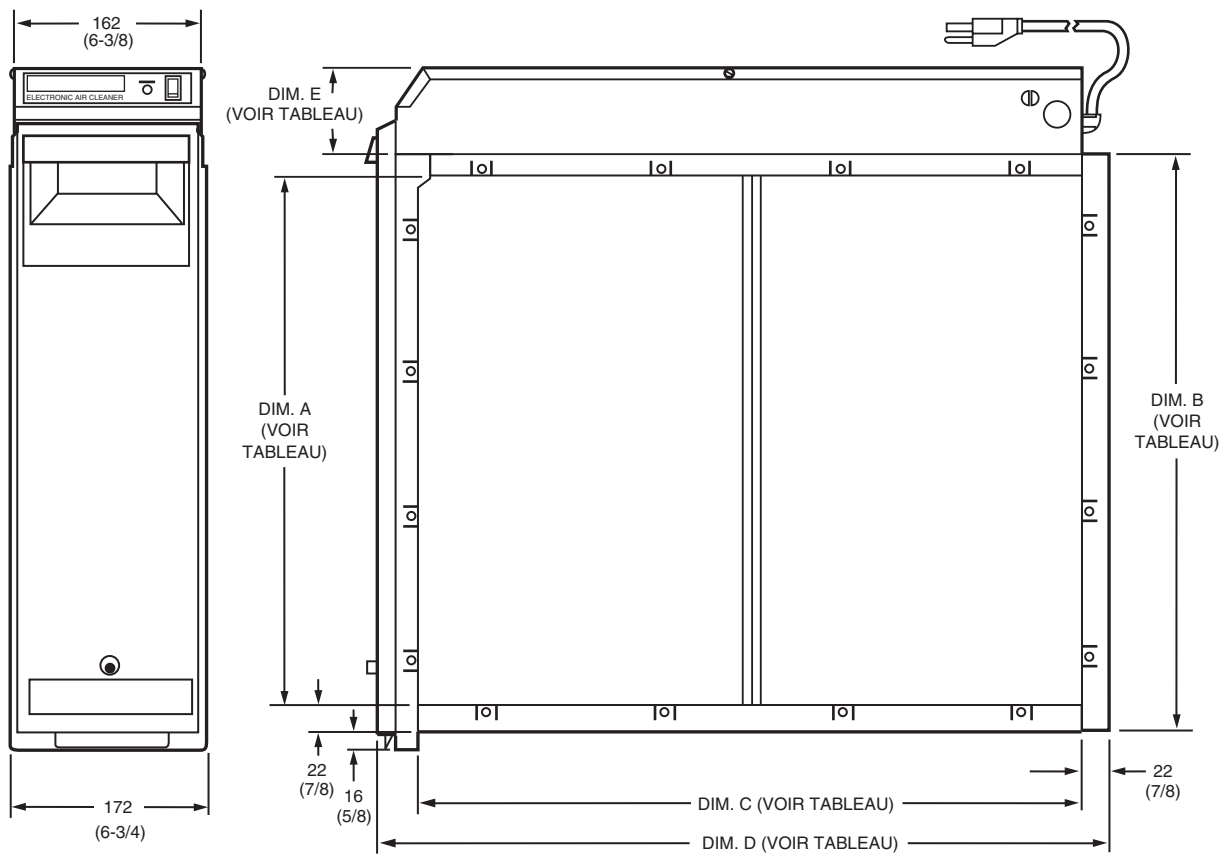
203365A Ensemble de conversion du bloc d'alimentation de 120 V, 60 Hz en un bloc de 240 V, 60 Hz ou de 220/240 V, 50 Hz.
 W8600F Moniteur.
 W8600A Indicateur AIRWATCH^{md}.

Pièces de rechange :

Voir l'illustration des pièces de rechange (vue explosée) et le tableau qui l'accompagne.

Tableau 3. Poids à l'expédition et à l'installation.

	Poids									
	406 x 508 mm (16 x 20 po)		406 x 635 mm (16 x 25 po)		508 x 318 (20 x 12-1/2)		508 x 635 mm (20 x 25 po)		508 x 508 mm (20 x 20 po)	
	kg	lb	kg	lb	kg	lb	kg	lb	kg	lb
Cellule électronique (chacune)	2,25	5	2,7	6	3.4	7-1/2	2,8	6 3/16	3,4	7 ½
À l'expédition	13,6	30	15,0	33	11.3	25	15,0	33	17,2	38
Installé (cellules comprises)	11,6	26	12,7	28	9.5	21	13,2	29	15,0	33



TAILLE F300E		DIM. A		DIM. B		DIM. C		DIM. D		DIM. E	
MM	PO	MM	PO	MM	PO	MM	PO	MM	PO	MM	PO
406 X 635	16 X 25	367	14-7/16	411	16-3/16	591	23-1/4	648	25-1/2	70	2-3/4
508 X 635	20 X 25	468	18-7/16	513	20-3/16	591	23-1/4	648	25-1/2	70	2-3/4
406 X 508	16 X 20	367	14-7/16	411	16-3/16	457	18-1/4	521	20-1/2	70	2-3/4
508 X 508	20 X 20	468	18-7/16	513	20-3/16	457	18-1/4	521	20-1/2	70	2-3/4

MF19776

Fig. 2. Encombrement en mm (po)— Installation du filtre à air électronique.

PLANIFICATION DE L'INSTALLATION

Application

Le filtre à air électronique s'installe dans la gaine de reprise d'air d'un système de chauffage, de refroidissement ou de ventilation à air pulsé. Il retient un très grand nombre de particules en suspension dans l'air, de 0,3 micron et plus, qui le traversent. Tous les modèles disposent d'un interrupteur à débit d'air qui fait fonctionner le filtre à air lorsque le ventilateur du système est en marche.

Vérifier les exigences relatives à l'installation

Installer le filtre à air de manière que tout l'air qui passe dans le système puisse circuler dans le filtre. Le meilleur endroit est la gaine de retour d'air, à côté du compartiment de ventilation; à cet endroit, le filtre à air contribuera en effet à garder le moteur du ventilateur et les serpentins de l'évaporateur plus propres.

IMPORTANT

Ne pas installer le filtre à air dans la gaine d'air pulsé.

Le filtrage de l'air sera plus efficace si le débit d'air est réparti uniformément sur la surface du filtre. Si la gaine et le boîtier du filtre à air n'ont pas les mêmes dimensions, il est préférable d'installer des raccords de transition. Si la gaine présente un angle aigu juste avant le filtre à air, il est recommandé d'utiliser des déflecteurs.

Applications — appareil de refroidissement

Le filtre à air devrait être installé en amont du serpentin de l'évaporateur. Le filtre à air aidera à garder le serpentin propre et permettra de réduire la fréquence de l'entretien.

Applications — humidificateur

Un humidificateur à évaporation peut être installé en amont du filtre à air. Un humidificateur atomiseur devrait être installé en aval du filtre à air même si des sédiments d'eau dure s'introduiront dans les pièces sous forme de poussière et se déposeront. Dans le cas d'un humidificateur atomiseur en amont du filtre à air :

1. Monter l'humidificateur le plus loin possible en amont du filtre à air.
2. Installer un filtre jetable standard pour appareil de chauffage entre l'humidificateur et le filtre à air pour retenir les gouttes d'eau et les sédiments d'eau dure.
3. Nettoyer le filtre à air fréquemment pour empêcher l'accumulation de sédiments d'eau dure.

REMARQUE : Le volume d'eau qui passe dans l'humidificateur atomiseur peut surcharger le filtre à air. Par conséquent, les sédiments d'eau dure pourraient s'introduire dans les pièces sous forme de poussière.

Applications — apport d'air extérieur

La température de l'air repris doit être d'au moins 4 °C (40 °F). Des températures plus basses peuvent endommager les fils de l'ionisateur. L'air extérieur doit être réchauffé avant qu'il n'atteigne le filtre à air. Il faut donc :

- S'assurer que l'apport d'air extérieur est suffisamment en amont du filtre à air pour que l'air repris et l'air extérieur soient parfaitement mélangés. Si l'air est stratifié, un jet d'air très froid pourrait circuler dans une section du filtre à air.
- Ajouter des déflecteurs en amont du filtre à air pour assurer le mélange complet de l'air.
- Installer un système de ventilation d'air frais Perfect Windows^{MD} de Honeywell pour la maison qui servirait à transférer 80 % de la chaleur de la gaine de soufflage à l'air frais provenant de l'extérieur. L'air extérieur serait ainsi réchauffé à plus de 4 °C (40 °F), ce qui réduirait la consommation d'énergie.
- Installer un appareil de préchauffage, si l'apport d'air extérieur est important. Cet appareil, par exemple un élément chauffant ou un serpentin d'eau chaude, devrait être commandé par un thermostat. Les serpentins d'eau chaude ou à vapeur devraient être protégés par un dispositif antigel.

Ajout du moniteur W8600F (en option)

Le moniteur de filtre à air W8600F peut être monté dans une pièce ou dans la salle où est situé l'appareil de chauffage. Il doit être installé à un endroit permettant de bien voir les voyants.

Le moniteur de filtre à air W8600F comprend tous les raccords nécessaires à installation facile. Suivre les directives d'installation comprises avec le W8600F

Ajout de l'indicateur AIRWATCH^{MD} W8600A

L'indicateur W8600A peut être installé près du thermostat ou à tout autre endroit de la maison d'où l'on peut bien voir les voyants. Aucun câblage requis.

Choix de l'emplacement

Choisir un emplacement permettant de faire facilement la vérification et le nettoyage normaux du filtre. Prévoir un dégagement d'au moins 330 mm (13 po) à l'avant de la porte d'accès pour retirer le préfiltre et la cellule. Prévoir suffisamment d'espace au-dessus du bloc d'alimentation pour faire la maintenance sans avoir à enlever les tuyaux, les gaines ou d'autres composants du système de chauffage.

Le filtre doit être installé à un endroit où la température se situe entre 4 °C et 52 °C (40 °F à 125 °F).

IMPORTANT :

La lampe UV peut endommager les post-filtres à fibres. Éviter de placer la lampe UV en aval du F300 à l'endroit où la lampe UV éclaire le post-filtre.

Choix de la position d'installation

AVERTISSEMENT

**Équipement lourd.
Peut causer des blessures ou endommager l'équipement.**

Ne pas installer le filtre à air de sorte que la porte d'accès soit dirigée vers le plancher. Si la porte d'accès fait face au plancher, le verrou pourrait se détacher et la cellule, le préfiltre et le post-filtre pourraient tomber brusquement.

REMARQUE : La cellule, le préfiltre et le post-filtre ne sont pas retenus lorsque la porte est ouverte.

Le filtre à air peut être monté dans n'importe quelle position, sauf la porte d'accès dirigée vers le bas. Les positions du filtre à air sur divers types d'appareils de chauffage sont énumérées ci-après :

REMARQUE : Prévoir un dégagement d'au moins 330 mm (13 po) entre la porte d'accès et tout obstacle pour faciliter la maintenance du post-filtre, du préfiltre et de la cellule.

- Appareil de chauffage à caissons superposés, à circulation ascendante. Installation sur le côté. Le filtre à air est installé à la verticale à l'endroit où entre l'air repris, sur le côté de l'appareil de chauffage. Voir la Fig. 3A.
- Appareil de chauffage à caissons superposés, à circulation ascendante. Installation sous l'appareil de chauffage (le boîtier du filtre à air peut facilement soutenir l'appareil de chauffage et le serpentin du système de refroidissement). Le filtre à air est installé à l'horizontale à l'endroit où entre l'air repris, au bas de l'appareil de chauffage. Voir la Fig. 3B.
- Appareil de chauffage à caissons superposés, à circulation ascendante. Installation dans une armoire. Le filtre est installé à la verticale sur l'appareil de chauffage entre celui-ci et l'ouverture à persiennes pour l'air repris dans la porte de l'armoire. Voir la Fig. 3C.
- Appareil de chauffage à caissons juxtaposés. Le filtre à air est installé à l'horizontale dans le plenum d'air repris juste au-dessus de l'appareil de chauffage, face au plenum d'alimentation. Voir la Fig. 3D.
- Appareil de chauffage à contre-courant, à circulation descendante. Le filtre à air est installé à l'horizontale dans la gaine de reprise d'air ou dans le plenum juste au-dessus de l'appareil de chauffage. Voir la Fig. 3E.
- Système à haut rendement. Il est possible de combiner deux ou plusieurs filtres à air. Voir la Fig. 3F.
- Appareil de chauffage horizontal. Le filtre à air est monté à la verticale à l'endroit où entre l'air repris. Voir la Fig. 3G.

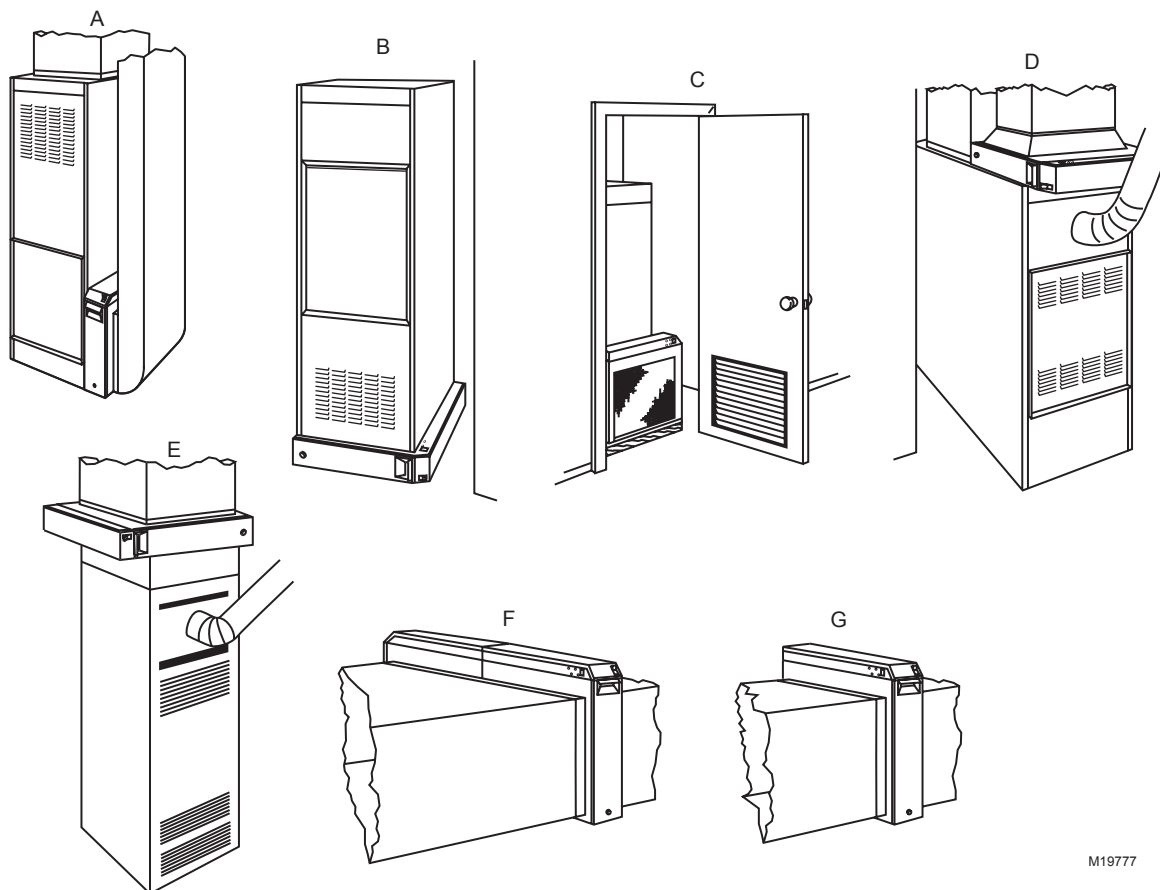


Fig. 3. Positions du filtre à air sur divers types d'appareils de chauffage.

Raccords de gaines requis

Le filtre à air se combine à tout système résidentiel de chauffage, de refroidissement et de ventilation à air pulsé neuf ou en place. Des raccords de transition ou de dérivation et des déflecteurs peuvent être nécessaires pour assurer un meilleur rendement dans certaines applications.

Raccords de transition

Des raccords de transition sont nécessaires lorsque les dimensions de la gaine et du boîtier du filtre à air sont différentes. Les raccords de transition réduisent la turbulence et augmentent l'efficacité. L'expansion maximale doit être de 20 degrés (environ 100 mm par 300 mm linéaires [4 po par pied linéaire]) de chaque côté du raccord de transition. Voir la Fig. 4.

MODIFIER L'ENCOMBREMENT DE LA GAINE AVEC DES RACCORDS DE TRANSITION POUR MINIMISER LA TURBULENCE.

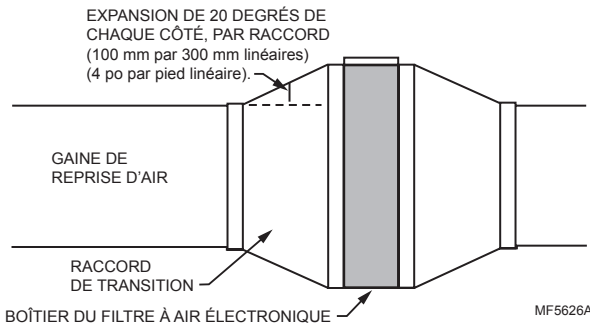


Fig. 4. Modifier l'encombrement de la gaine à l'aide de raccords de transition pour réduire la turbulence au minimum.

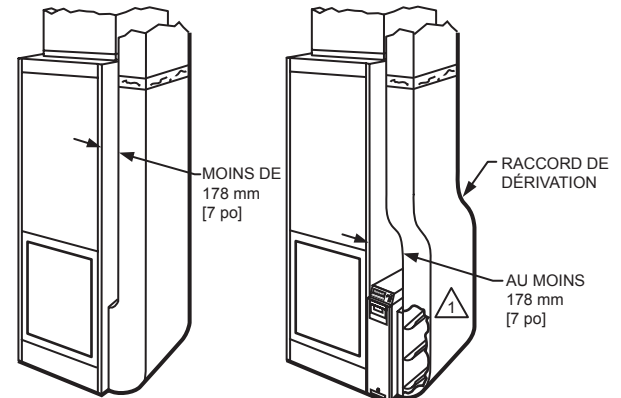
Défecteurs

Si le filtre à air est installé près d'un coude (raccord à angle), installer les déflecteurs à l'intérieur du coude pour assurer une distribution d'air plus uniforme à la surface de la cellule. Voir la Fig. 5.

Raccords de dérivation

Si le raccord entre la gaine et l'appareil dans le cas d'une installation sur le côté offre un dégagement inférieur à 178 mm (7 po) pour le boîtier du filtre à air, ajouter un raccord de dérivation au coude. Voir la Fig. 5.

UTILISATION TYPIQUE DU RACCORD DE DÉRIVATION DE LA GAINE POUR ASSURER UN DÉGAGEMENT SUFFISANT POUR LE FILTRE À AIR ÉLECTRONIQUE.



1 LES DÉFLECTEURS ASSURENT UNE MEILLEURE RÉPARTITION D'AIR. MF5627A

Fig. 5. Utilisation typique d'un raccord de dérivation pour assurer un dégagement suffisant au filtre à air électronique.

INSTALLATION

Avant d'installer ce produit...

1. Lire attentivement les instructions. Le fait de ne pas les suivre risque d'endommager le produit ou de constituer un danger.
2. Vérifier les caractéristiques nominales indiquées dans les instructions et sur le produit, et s'assurer que celui-ci correspond bien à l'application prévue.
3. L'installateur doit être un technicien d'expérience ayant reçu la formation pertinente.
4. Une fois l'installation terminée, vérifier le fonctionnement du produit comme l'indiquent les présentes instructions.

⚠ AVERTISSEMENT

Risque de choc électrique.
Peut causer un choc électrique ou endommager l'équipement.
Ne pas brancher l'appareil avant d'avoir terminé l'installation.

Déballer le filtre à air électronique

- ❑ S'assurer qu'il ne manque aucun composant. Le filtre à air électronique est expédié assemblé. L'appareil comprend un boîtier en acier galvanisé, un bloc d'alimentation avec un interrupteur et une lampe-témoin, deux cellules, deux post-filtres à fibres, deux préfiltres en mailles métalliques, une porte d'accès et la documentation nécessaire.
- ❑ Le W8600F (en option), les pièces de montage et la notice d'installation doivent être commandés séparément.
- ❑ Le W8600A (en option), les pièces de montage, les piles et la notice d'installation doivent être commandés séparément.

Nettoyer le compartiment du ventilateur

- ❑ Retirer et mettre de côté le filtre actuel de l'appareil de chauffage.
- ❑ Nettoyer à fond le compartiment du ventilateur.
- ❑ Si c'est possible, passer l'aspirateur dans le système de gaines pour éliminer la poussière accumulée dans une maison déjà construite ou la saleté due à la construction dans une maison neuve. Le filtre à air électronique ne peut éliminer la poussière accumulée dans le compartiment du ventilateur et les gaines de distribution.
- ❑ Vérifier s'il n'y a pas de la poussière sur les bordures des lames du ventilateur de l'appareil de chauffage. Les nettoyer au besoin. Le rendement du ventilateur (pi^3/min) sera inférieur au rendement prévu si les lames sont sales.

Fixer le boîtier à l'appareil de chauffage

REMARQUE : L'installation d'un filtre sur le côté d'un appareil de chauffage à caissons juxtaposés est décrite ci-dessous. Des modifications peuvent s'avérer nécessaires dans le cas d'un autre système.

- ❑ Retirer et mettre de côté la porte d'accès, les cellules, les post-filtres à fibres et les préfiltres en mailles métalliques.
- ❑ Aligner le boîtier sur l'ouverture pour la reprise d'air.
- ❑ Percer une ouverture dans l'appareil de chauffage correspondant à celle du boîtier du filtre à air.
- ❑ Installer un raccord de transition si les ouvertures de l'appareil de chauffage et du filtre sont de dimensions différentes. Voir la Fig. 4.
- ❑ Placer des blocs sous le boîtier pour que l'appareil soit bien soutenu et de niveau. Le pied de fixation de 16 mm (5/8 po) sur la plaque de la charnière du boîtier assure le dégagement suffisant à la charnière d'articulation de la porte d'accès.
- ❑ Fixer solidement le boîtier à l'appareil de chauffage soit directement (voir illustration), soit à l'aide d'un collier de démarrage dans l'appareil de chauffage. Percer des trous et fixer l'appareil à l'aide de rivets ou de vis pour tôle ou utiliser des écrous coulissants. Voir la Fig. 6.

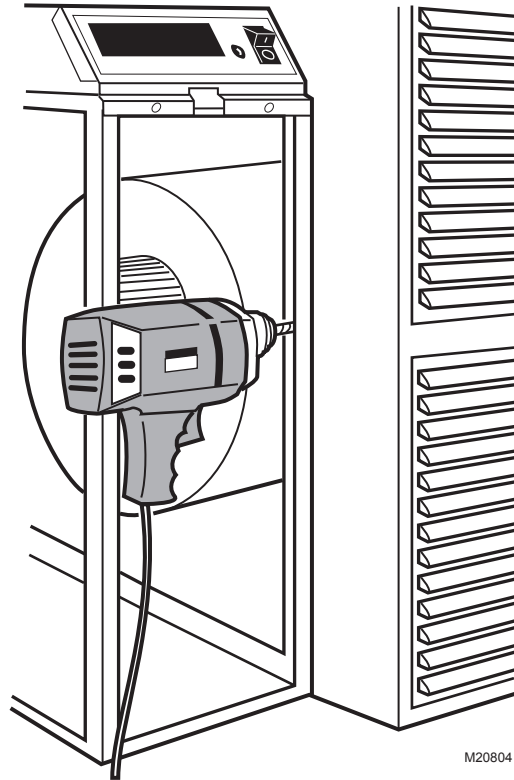


Fig. 6. Fixer le boîtier à l'appareil de chauffage.

Installer les déflecteurs

- ❑ Installer les déflecteurs à l'intérieur du coude (raccord à angle) monté directement sur le boîtier du filtre à air. Voir la Fig. 7.

Fixer le boîtier au système de gaines

- ❑ Installer un raccord de transition si les ouvertures du boîtier du filtre à air et de la gaine sont de dimensions différentes. Voir la Fig. 4.
- ❑ Fixer l'autre côté du boîtier sur le coude à l'aide de rivets, de vis pour tôle, ou d'écrous coulissants, au besoin. S'il faut percer des trous, utiliser une pince-étau pour maintenir l'appareil en place pendant le perçage. Voir la Fig. 7.

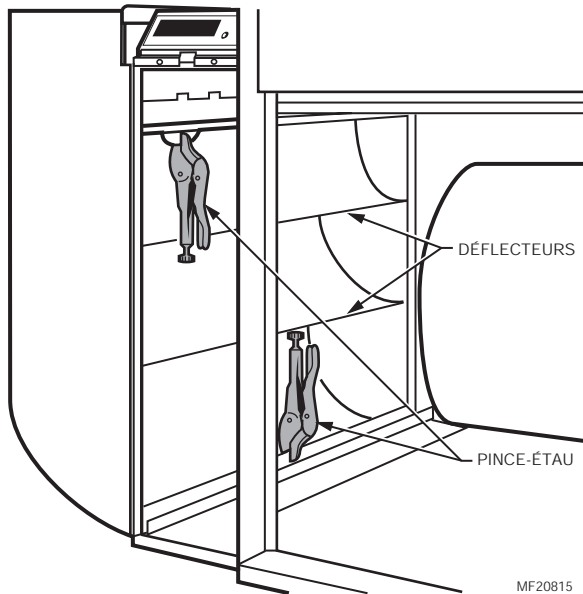


Fig. 7. Fixer la gaine d'air au filtre à air. Noter la position des déflecteurs. La pince-étau sert à tenir ensemble l'appareil et la gaine d'air pendant l'installation.

Sceller les joints

- Sceller tous les joints du système de reprise d'air entre le filtre à air et l'appareil de chauffage pour empêcher la poussière de pénétrer dans le courant d'air propre. Se servir d'un joint d'étanchéité pour boîtier de filtre à air offert en option (pièce 32002109-001), de mastic ou de ruban adhésif entoilé.

Installer la clavette de la cellule dans la bonne direction.

La cellule électronique doit toujours être installée de façon que la section d'ionisation soit du côté amont. Une clavette de cellule installée en usine au bas du boîtier permet d'insérer la cellule dans une seule direction. Tant que la flèche moulée dans la clavette en plastique pointe dans la même direction que le débit d'air, l'ionisateur restera du côté amont.

Si la position de la clavette doit être inversée :

1. Retirer la cellule électronique.
2. Desserrer la vis qui tient la clavette de la cellule en place. Voir la Fig. 8.

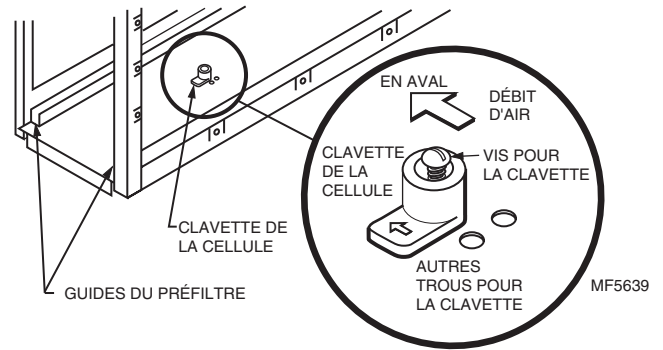


Fig. 8. La position de la clavette de la cellule détermine l'orientation de la cellule (la flèche de la clavette doit pointer vers l'aval).

3. Changer la clavette de position et la placer par-dessus les trous opposés. La languette du bas s'insère dans le grand trou et la vis, dans le plus petit trou. S'assurer que la flèche sur la clavette pointe dans la direction de l'écoulement de l'air (en aval).
4. Serrer la vis dans le nouveau trou.
5. Insérer la cellule électronique. La section d'ionisation sera maintenant du côté de l'entrée d'air (en amont) du boîtier.

Fixer les poignées des cellules

Les poignées de la cellule doivent être installées à l'extrémité de la cellule qui est la plus près de la porte d'accès.

Installation :

1. Orienter la cellule dans la direction désirée pour l'installation. Le panneau de contacts gris doit pointer vers le haut et la flèche indiquant le sens d'écoulement d'air de la cellule doit pointer vers l'aval.
2. Tenir la poignée par les côtés et insérer la languette rigide sur le dos de la poignée dans la fente de la cellule. Tourner la poignée de 90° en sens horaire pour aligner la languette divisée sur le trou carré. Voir Fig. 9.

INSTALLER LES POIGNÉES AU BOUT DE LA CELLULE QUI EST LA PLUS PRÈS DE LA PORTE D'ACCÈS

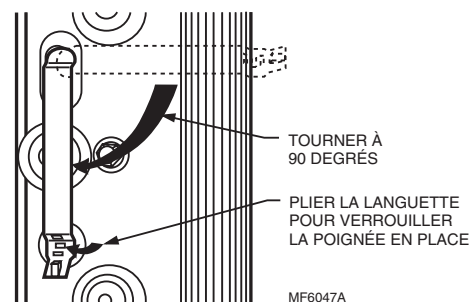


Fig. 9. Installer les poignées au bout de la cellule qui est la plus près de la porte d'accès.

3. Insérer la languette divisée dans le trou carré.
4. Plier la cale et l'insérer dans la languette divisée pour verrouiller la poignée en place. Au besoin, exercer une pression avec un instrument émoussé comme une paire de pinces.

Réassembler le filtre à air

- ❑ Insérer la cellule électronique de façon que le panneau de contacts gris soit orienté vers le haut et que la flèche indiquant le sens d'écoulement d'air pointe vers l'aval. Si la cellule ne glisse pas facilement dans le boîtier, vérifier l'orientation de la clavette de la cellule.
- ❑ Insérer le préfiltre en mailles métalliques du côté amont du boîtier dans le guide fourni.
- ❑ Insérer le post-filtre à fibres du côté aval du boîtier dans le guide fourni.
- ❑ Remettre la porte d'accès en place. Insérer la languette au bas de la porte dans la fente du boîtier, refermer la porte, en exerçant une pression. La porte doit être bien en place sinon le filtre à air ne fonctionnera pas.

- L'alimentation tension secteur doit correspondre à la tension et à la fréquence indiquées sur l'étiquette dans la porte d'accès.
- Lorsque le ventilateur du système se met en marche, l'interrupteur à débit d'air détecte une pression négative dans la gaine d'air et met le filtre à air sous tension. Si l'alimentation du filtre à air est commandée par un autre interrupteur, l'interrupteur à débit d'air peut être mis hors service en débranchant le connecteur J3 de l'interrupteur de débit d'air et en coupant le cavalier J8 du bloc d'alimentation. Voir la Fig. 10.

- ❑ Brancher le filtre à air électronique directement dans la prise ayant la tension et la fréquence indiquées. Voir la Fig. 10 pour observer le schéma de raccordement interne.

Terminer le raccordement

AVERTISSEMENT

**Risque de choc électrique
Peut causer des blessures.**

Ne pas utiliser de cordon de rallonge.

REMARQUE : Pour éviter les risques de chocs électriques, le filtre possède une fiche à trois broches (la troisième broche sert de mise à la terre). Cette fiche ne peut être utilisée qu'avec une prise avec mise à la terre. Si la prise doit être changée, faire installer la prise appropriée par un électricien qualifié. Ne pas le faire soi-même.

- Tous les raccordements doivent être conformes aux règlements et aux codes locaux.

- ❑ Le filtre à air électronique peut aussi être raccordé à l'aide d'un fil conducteur.

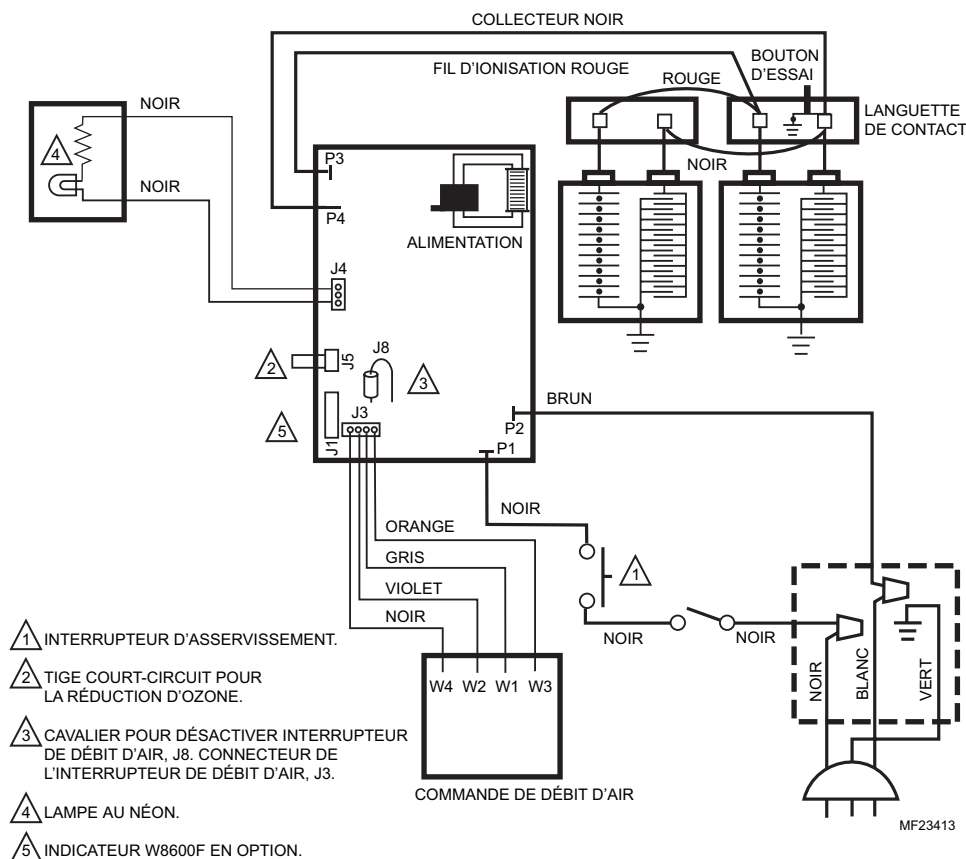


Fig. 10. Schéma interne du filtre à air électronique avec le W8600F.

1. Ouvrir la porte d'accès.
2. Enlever les deux vis sur le devant et les deux vis sur le côté du bloc d'alimentation. Voir la Fig. 11.
3. Dans le bloc d'alimentation enlever les capuchons qui raccordent le cordon d'alimentation au câblage du bloc d'alimentation.
4. Retirer le fil vert de la vis de mise à la terre verte dans le compartiment de câblage.

5. Enlever le cordon d'alimentation et le serre-câble.
6. Placer le bouchon (fourni dans l'emballage) sur le trou laissé par le cordon d'alimentation.
7. Relier le fil conducteur par l'ouverture défonçable sur le côté du bloc d'alimentation.
8. Raccorder le filtre à air directement au fil tension secteur à l'aide des capuchons. Voir la Fig. 12. Replacer le fil de mise à la terre sur la vis de mise à la terre verte dans le compartiment de câblage.
9. Replacer le couvercle du bloc d'alimentation et la porte d'accès.

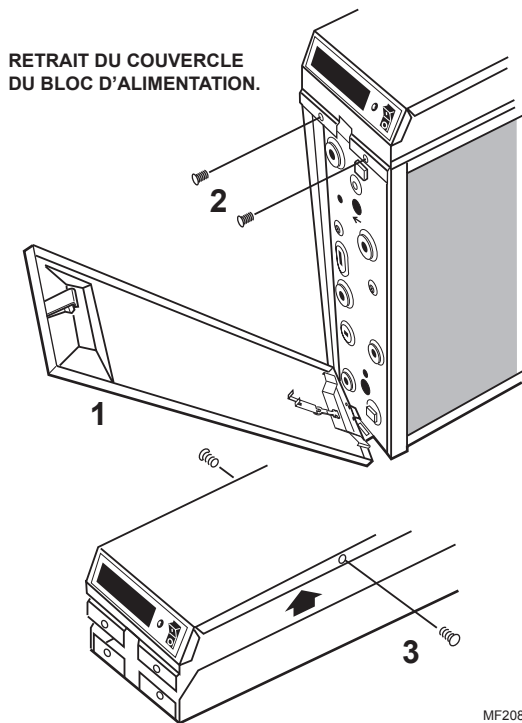
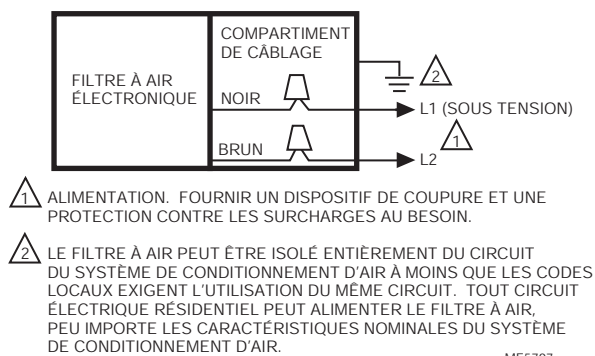


Fig. 11. Retrait du couvercle du bloc d'alimentation.



- ⚠️ ALIMENTATION. FOURNIR UN DISPOSITIF DE COUPURE ET UNE PROTECTION CONTRE LES SURCHARGES AU BESOIN.
- ⚠️ LE FILTRE À AIR PEUT ÊTRE ISOLÉ ENTIÈREMENT DU CIRCUIT DU SYSTÈME DE CONDITIONNEMENT D'AIR À MOINS QUE LES CODES LOCAUX EXIGENT L'UTILISATION DU MÊME CIRCUIT. TOUT CIRCUIT ÉLECTRIQUE RÉSIDUEL PEUT ALIMENTER LE FILTRE À AIR, PEU IMPORTE LES CARACTÉRISTIQUES NOMINALES DU SYSTÈME DE CONDITIONNEMENT D'AIR.

Fig. 12. Connexion des conducteurs du filtre à air électronique.

FUNCTIONNEMENT

Les grosses particules (charpie, poils) sont retenues par le préfiltre. L'air pollué passe dans le champ électrique haute tension autour des fils ionisants. Toutes les particules reçoivent une décharge électrique.

L'air passe ensuite dans les plaques collectrices, qui sont simultanément positives et négatives, ce qui crée un champ électrostatique uniforme. Les particules ionisées sont attirées par les plaques ayant une charge contraire, auxquelles elles adhèrent.

À la sortie du filtre à air, l'air propre contient très peu de particules. Chaque fois que l'air circule dans le filtre à air électronique, la quantité de particules dans l'air diminue.

VÉRIFICATION

Vérifier l'installation

Vérifier ce qui suit :

- les déflecteurs et les raccords de transition sont bien installés;
- les joints en tôle entre le filtre à air et l'appareil de chauffage sont scellés;
- tous les raccords en tôle ont été posés;
- le filtre original a été retiré et le compartiment du ventilateur a été nettoyé;
- si un humidificateur atomiseur est installé en amont du filtre à air, un filtre jetable pour appareil de chauffage est installé entre l'humidificateur et le filtre à air;
- l'air extérieur, s'il y a lieu, est mélangé avec l'air repris ou chauffé au besoin avant d'atteindre le filtre à air;
- les flèches indiquant le sens de l'écoulement d'air sur la cellule électronique pointent vers l'aval;
- le préfiltre en mailles métalliques est du côté amont de la cellule électronique et le post-filtre à fibres est du côté aval de la cellule électronique;
- la poignée de la cellule fait face vers l'extérieur;
- la cellule électronique et le préfiltre sont propres et secs;
- les raccordements du W8600F (s'il y a lieu) sont bien faits.

Vérifier le fonctionnement du filtre à air

Une fois tous les composants en place, mettre sous tension le filtre à air et le ventilateur du système. Vérifier les points suivants :

1. La lampe-témoin près de l'interrupteur est allumée. Si le filtre comprend un W8600F, vérifier également le panneau mural et s'assurer que le voyant ON est allumé. Le voyant FAULT du W8600F s'allumera s'il y a un problème d'alimentation haute tension.
2. Fermer le ventilateur du système. La lampe-témoin devrait s'éteindre après quelques secondes. La lampe-témoin indique que le filtre à air est en marche et que l'alimentation haute tension fonctionne normalement.
3. Remettre le ventilateur sous tension. Lorsqu'il est sous tension, appuyer sur le bouton d'essai. Un bruit sec indique que la tension du collecteur est présente dans la cellule.
4. Avec un ventilateur à vitesses multiples, répéter les étapes 1 et 2 pour chaque vitesse.

MAINTENANCE



MISE EN GARDE

**Rebords coupants.
Peut causer des blessures.**

Manipuler les cellules avec soin ou porter des gants de protection pour éviter les coupures sur les rebords de métal coupants.

Nettoyage des cellules et des préfiltres

Pour assurer le rendement optimal du filtre, il faut laver les cellules et les préfiltres régulièrement, tous les 1 à 6 mois. La fréquence de lavage dépend du nombre de personnes et d'animaux dans la maison, des activités (cuisson ou travaux de menuiserie, par exemple) et de la fumée de tabac. À l'aide du calendrier de rappel de lavage fournie à la dernière page du présent document, établir un horaire de lavage et le suivre. Placer la fiche à un endroit pratique.

REMARQUE : Les post-filtres à fibres devraient être remplacés plutôt que nettoyés. Consulter la section Remplacement des post-filtres à fibres.

Si le filtre à air comprend un moniteur de filtre à air W8600F, le voyant SERVICE s'allumera pour indiquer que les cellules et les préfiltres doivent être nettoyés. L'intervalle entre chaque lavage dépend du temps de fonctionnement du filtre qui a été choisi par l'installateur au moment de l'installation.

Si le filtre à air comprend un indicateur AIRWATCH^{MD} W8600A, la flèche Air Cleaner (filtre à air) clignotera pour indiquer qu'il est temps de laver les préfiltres et les cellules. L'intervalle entre chaque moment où la flèche s'allume dépend du temps de fonctionnement du filtre qui a été choisi au moment de l'installation.

REMARQUE : Le système de chauffage ou de refroidissement peut continuer à fonctionner pendant le lavage des cellules. Il faut seulement mettre l'interrupteur du filtre à air à OFF.

IMPORTANT

Nettoyer les préfiltres à l'aspirateur ou à la brosse ou les tremper dans un bac. Ne pas les laver dans un lave-vaisselle ou un lave-auto.

Nettoyage des cellules dans le lave-vaisselle



MISE EN GARDE

**Danger de brûlure.
Peut causer des blessures.**

Laisser refroidir complètement les cellules dans le lave-vaisselle après le cycle de lavage ou porter des gants de caoutchouc pour éviter les brûlures. De l'eau chaude peut s'accumuler dans les tubes qui soutiennent les plaques collectrices. Incliner les cellules pour permettre à l'eau de s'écouler.

IMPORTANT

- Consulter le manuel de l'utilisateur fourni avec le lave-vaisselle. Des fabricants déconseillent de nettoyer les cellules dans leur appareil.
- Si le lave-vaisselle comporte un bras de gicleur supérieur et inférieur, placer les cellules de manière à permettre une bonne circulation de l'eau.
- Prendre garde d'endommager les cellules en les plaçant dans le lave-vaisselle. Les fils ionisants brisés et les plaques collectrices pliées ne sont pas couverts par la garantie.
- Des cellules très sales à cause de la fumée de cuisson ou de tabac peuvent décolorer les pièces en plastique et les parois de certains lave-vaisselle. Il n'y a aucun risque pour la santé. Laver les cellules plus fréquemment ou essayer une autre marque de détergent pour réduire au minimum la décoloration.
- **NE PAS faire fonctionner le lave-vaisselle au cycle de séchage** car cela provoquerait l'incrustation des contaminants qui n'ont pas été enlevés durant le cycle de lavage et réduirait par le fait même l'efficacité du filtre.

1. Placer les cellules dans le panier inférieur du lave-vaisselle, la flèche de débit d'air pointant vers le haut. S'il y a lieu, enlever le panier supérieur. Ne pas bloquer la circulation de l'eau dans le gicleur supérieur.

CONSEIL : Installer de grands verres à eau entre les tiges du panier inférieur pour y appuyer les cellules. Ainsi les tiges n'abîmeront pas les pales en aluminium du collecteur.

2. Utiliser le détergent qui convient le mieux à votre lave-vaisselle. Faire fonctionner le lave-vaisselle pendant un cycle de lavage et de rinçage complet. **Ne pas utiliser le cycle de séchage.** Afin d'éviter les brûlures, laisser refroidir complètement les cellules avant de les sortir, ou porter des gants de protection. Il peut y avoir de l'eau à l'intérieur des plaques des cellules. Incliner les cellules pour permettre à l'eau de s'écouler.
3. Prendre un chiffon propre et, avec le pouce et l'index, essuyer les fils ionisants et le panneau de contacts à l'extrémité de la cellule.
4. Vérifier le lave-vaisselle. S'il y a des résidus et de la saleté dans le lave-vaisselle une fois le filtre enlevé, le faire fonctionner de nouveau pendant un cycle de lavage ou de rinçage. S'il semble y avoir trop de saleté ou de résidus, nettoyer les cellules plus souvent ou employer un autre détergent.

Nettoyage des cellules dans un bac



MISE EN GARDE

**Produit chimique dangereux.
Peut causer des blessures.**

Éviter d'éclabousser la solution dans les yeux. Porter des gants de caoutchouc afin d'éviter tout contact prolongé du détergent avec la peau. Garder la solution de détergent hors de portée des enfants.

REMARQUE : Toujours nettoyer les cellules en premier lieu afin que les charpies lourdes provenant des préfiltres ne pénètrent dans les cellules. Laver les préfiltres ensuite.

1. Utiliser un bac suffisamment grand pour y plonger une ou deux cellules, comme une cuve de lavage ou une poubelle.

REMARQUE : Les angles vifs de la cellule peuvent égratigner la baignoire.

2. Verser une quantité suffisante d'eau chaude pour couvrir les cellules. Dissoudre environ 3/4 de tasse de détergent pour lave-vaisselle. Si le détergent ne se dissout pas immédiatement ou s'il y a de l'écume à la surface de l'eau, employer une autre marque de détergent ou une eau adoucie.
3. Lorsque le détergent est entièrement dissout, placer les cellules dans le bac et laisser tremper de 15 à 20 minutes. Agiter les cellules de haut en bas à quelques reprises et les retirer de l'eau. Voir la Fig. 13.

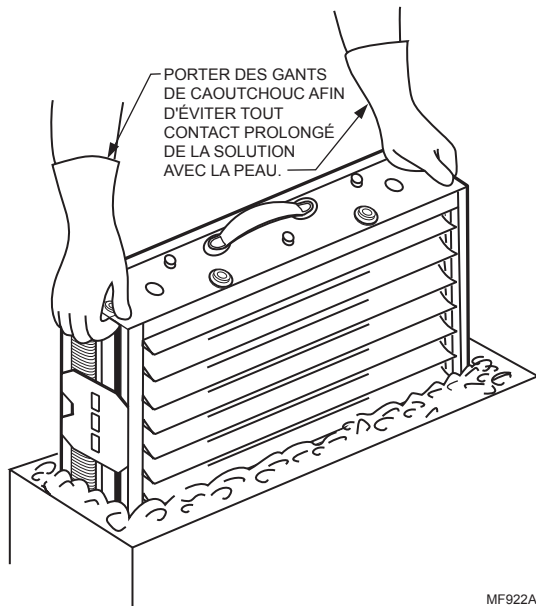


Fig. 13. Nettoyage des cellules dans un bac.

4. Nettoyer les préfiltres de la même manière. Vider et nettoyer le bac.
5. Rincer les cellules et les préfiltres en les vaporisant d'eau très chaude; rincer le bac et le remplir d'eau chaude propre et y placer les cellules et les préfiltres pendant 5 à 15 minutes. Rincer jusqu'à ce que l'eau qui s'écoule ne soit plus glissante.
6. Tremper les cellules ou les préfiltres dans une eau claire pendant 10 minutes pour un dernier rinçage.
7. Prendre un chiffon propre et, avec le pouce et l'index, essuyer les fils ionisants et le panneau de contacts à l'extrémité de la cellule.

Nettoyage des cellules dans un lave-auto

Utiliser le tuyau du lave-auto libre-service à encaissement automatique pour nettoyer les cellules. Tenir le gicleur à au moins 2 pieds de la cellule pour éviter que le jet d'eau à haute pression ne l'endommage (fils d'ionisation brisés ou plaques collectrices pliées). Suivre les mêmes étapes de lavage et de rinçage que pour les voitures. Toutefois, il ne faut pas cirer les cellules. S'assurer de rincer jusqu'à ce que l'eau qui s'écoule des cellules ne soit plus glissante.

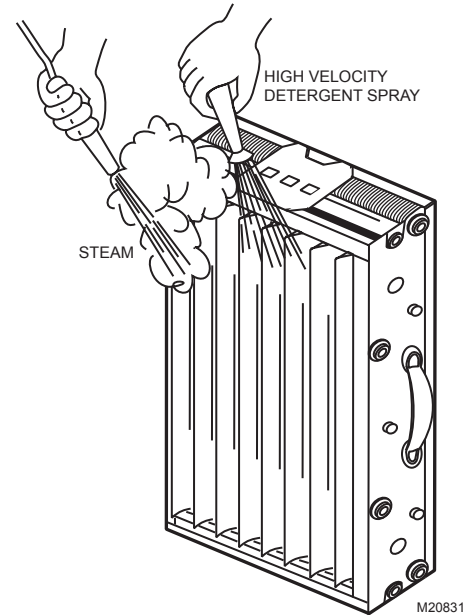


Fig. 14. Nettoyage des cellules dans un lave-auto.

Remise en place des préfiltres et des cellules

1. Vérifier les cellules afin de s'assurer qu'aucun fil n'est brisé ni qu'aucune plaque collectrice n'est déformée. Faire les réparations ou amener l'appareil à un atelier de réparation autorisé Honeywell.
2. Glisser les préfiltres dans les guides vers l'amont.
3. Glisser les cellules à l'intérieur de sorte que la flèche de débit d'air pointe vers l'aval et que les poignées soient vers l'extérieur.
4. Fermer soigneusement la porte d'accès.
5. Mettre en marche le filtre à air. Si les cellules ou les préfiltres sont toujours mouillés, la lampe-témoin pourrait s'allumer. Il pourrait y avoir des arcs. Si le bruit est agaçant, simplement arrêter le filtre à air pendant 2 à 3 heures ou jusqu'à ce que les cellules soient sèches.

Remplacement des post-filtres à fibres

Afin de maximiser l'efficacité de filtration des post-filtres à fibres, il faut les remplacer tous les six mois. Les post-filtres de rechange sont offerts dans les mêmes tailles et configurations que ceux fournis avec l'appareil. Communiquer avec un distributeur de produits Honeywell pour obtenir des post-filtres de rechange. Il faut les installer de la même façon que ceux fournis avec l'appareil. Utiliser le calendrier de rappel à la fin du présent document pour établir les dates de remplacement des post-filtres. Placer le calendrier à un endroit pratique.

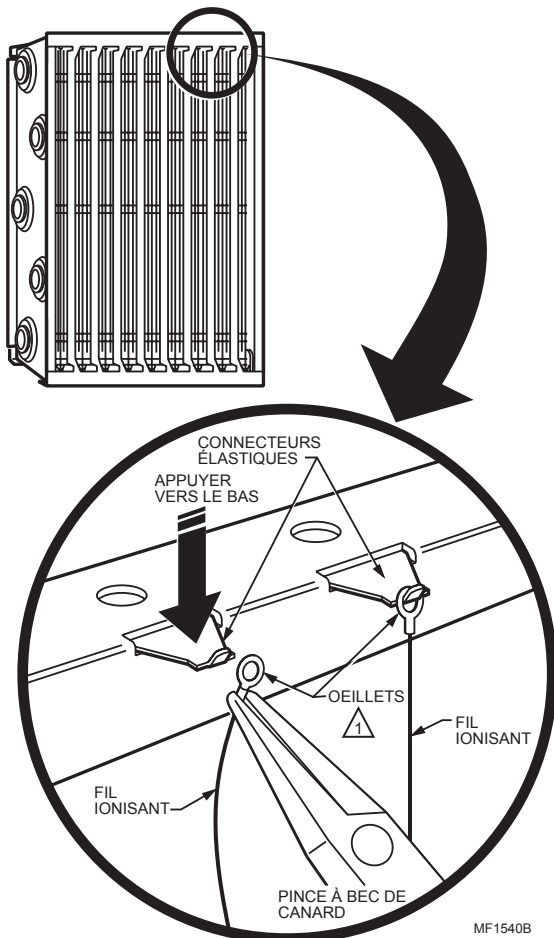
Remplacement des fils d'ionisation

Des fils d'ionisation pliés ou cassés peuvent provoquer un court-circuit ou une fuite à la terre, ce qui provoque souvent un arc visible ou des étincelles. Ne pas utiliser les cellules tant que les fils d'ionisation n'ont pas été réparés ou remplacés. Les cellules peuvent être utilisées s'il manque un fil, mais il faudrait voir à remplacer ce fil le plus rapidement possible.

Des fils de rechange sont offerts séparément; ils sont coupés à la bonne longueur et munis d'œillets aux deux extrémités qui facilitent leur installation. Voir la liste des pièces et accessoires non illustrés pour connaître le numéro de pièce. Pour procéder à l'installation :

1. Accrocher le fil par l'œillet par-dessus le connecteur à ressort sur l'un des rebords de la cellule (voir la Fig. 15). Prendre garde d'endommager le connecteur ou toute autre partie de la cellule.
2. Tenir l'autre bout du fil à l'aide de pinces à bec pointu et étirer le fil sur toute la longueur de la cellule. Abaisser le connecteur situé sur le rebord opposé et accrocher le fil par l'œillet.
3. Vérifier s'il y a des courts-circuits à l'aide d'un ohmmètre. Vérifier la résistance entre le cadre de la cellule et les contacts de l'ionisateur et de la plaque collectrice. Dans chaque cas, la résistance devrait être infinie. Voir la Fig. 16.

REPLACEMENT DES FILS IONISANTS.



⚠ ILS SONT MUNIS D'OEILLETS AUX DEUX EXTRÉMITÉS POUR FACILITER L'INSTALLATION.

Fig. 15. Remplacement d'un fil d'ionisateur.

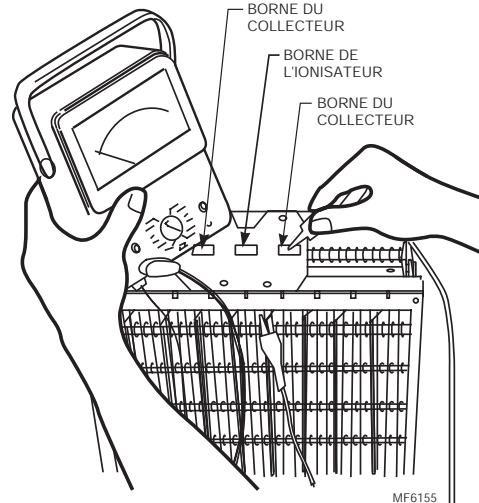


Fig. 16. Utiliser un ohmmètre pour vérifier s'il y a des courts-circuits dans la cellule.

Réduction de l'odeur d'ozone

⚠ MISE EN GARDE

Risque de choc électrique.

Peut causer des blessures

Toujours couper l'alimentation et ouvrir la porte d'accès avant de soulever le couvercle du bloc d'alimentation.

Le filtre à air électronique produit une petite quantité d'ozone lorsqu'il fonctionne normalement. Pendant les deux premières semaines de fonctionnement, la quantité d'ozone est parfois plus élevée à cause des extrémités tranchantes des nouvelles pièces métalliques haute tension. Si elles fonctionnent normalement, les pièces seront rodées en peu de temps.

En général, on peut déceler l'odeur d'ozone dans des concentrations aussi faibles que 0,003 à 0,010 partie par millions (ppm). Le filtre à air électronique produit de 0,005 à 0,010 ppm d'ozone à l'intérieur. La U.S. Food and Drug Administration et Santé et bien-être social Canada recommandent que la concentration d'ozone à l'intérieur ne dépasse pas 0,050 ppm. À titre indicatif, la concentration d'ozone dans la plupart des grandes villes atteint parfois 0,100 ppm.

Toutefois, il est possible de réduire la quantité d'ozone produite par le filtre à air de deux façons :

1. En installant un filtre à charbon actif en aval du filtre à air. S'assurer que les particules provenant de l'élément filtrant ne tombent pas dans le filtre à air.

⚠ AVERTISSEMENT

Risque de choc électrique

Peut causer des blessures

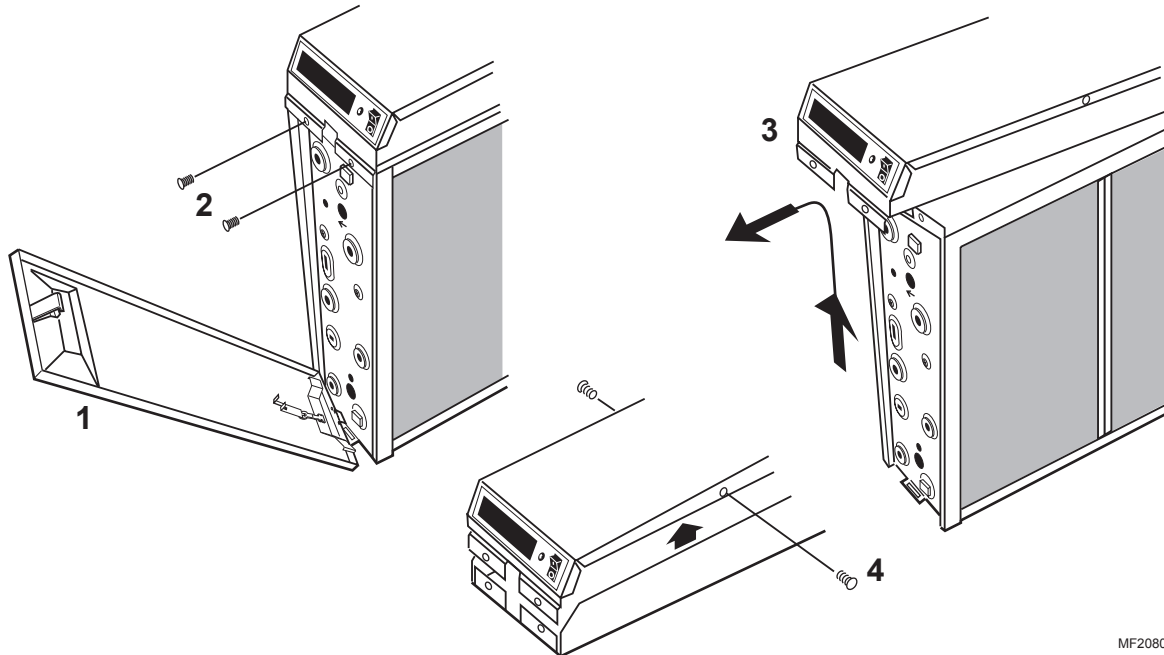
Seul un technicien qualifié devrait effectuer les étapes suivantes.

2. La méthode suivante permettra de réduire la production d'ozone d'environ 20 à 25 %, mais elle diminuera l'efficacité d'environ 7 à 10 % selon le débit d'air réel du ventilateur de l'appareil de chauffage.
 - a. Débrancher le filtre à air ou en couper l'alimentation.
 - b. Ouvrir la porte d'accès.
 - c. Retirer le couvercle du bloc d'alimentation. Voir la Fig. 17.
 - d. Repérer la tige de court-circuit J5 sur le bloc d'alimentation. Voir la Fig. 18. L'enlever et la raccorder à une seule broche.

REMARQUE : La production d'ozone diminuera; la tige de court-circuit peut être installée de nouveau, au besoin.

- e. Remettre en place le couvercle du bloc d'alimentation et la porte d'accès. Mettre l'appareil sous tension.
- f. Répéter les étapes de la vérification avant de quitter les lieux.

RETIRER LE BLOC D'ALIMENTATION DU FILTRE À AIR ET ENLEVER LE COUVERCLE.



MF20807

Fig. 17. Retirer le bloc d'alimentation du filtre à air et retirer le couvercle.

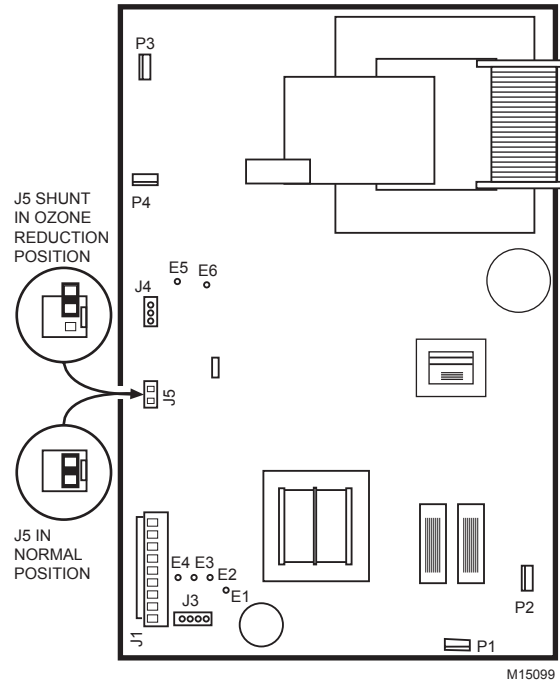


Fig. 18. Déplacer la tige de coupe-circuit J5 pour réduire la production d'ozone d'environ 20 à 25 %.

PIÈCES DE RECHANGE (TABLEAU 3)/VUE EXPLOSÉE (FIG. 19).

N°	Description	Ouverture nominale de la gaine de reprise			
		406 x 508 mm (16 x 20 po)	406 x 635 mm (16 x 25 po)	508 x 508 mm (20 x 20 po)	508 x 635 mm (20 x 25 po)
1	Poste d'accès	32007528-003	32007528-003	32007528-002	32007528-002
2	Ensemble bouton d'essai	203306AB (1)	203306AB (1)	203306AB (1)	203306AB (1)
3	Cellule électronique	FC37A1114 (2)	FC37A1130 (2)	FC37A1049 (2)	FC37A1064 (2)
4	Poignée de cellule	137266 (2)	137266 (2)	137266 (1)	137266 (1)
5	Préfiltre	209989 (2)	203371 (2)	203373 (2)	203372 (2)
6	Clavette de cellule	136518 (1)	136518 (1)	136518 (1)	136518 (1)
7	Bloc d'alimentation, avec n° 8-20. 120 V, 60 Hz	208418J (1)	208417S (1)	208418H (1)	208417R (1)
8	Interrupteur	203321 (1)	203321 (1)	203321 (1)	203321 (1)
9	Couvercle de bloc d'alimentation et étiquette	32004930-002	32004930-001	32004930-002	32004930-001
10	Bloc d'alimentation, 120 V, 60 Hz	208414G (1)	208414B (1)	208414B (1)	208414A (1)
11	Patte et interrupteur de verrouillage	4074ETG (1)	4074ETG (1)	4074ETG (1)	4074ETG (1)
12	Bornier du W8600	Fourni avec W8600F			
13	Plaque pour bornier, devant	203329B (1)	203329B (1)	203329B (1)	203329C (1)
14	Plaque pour bornier, derrière	203329A (1)	203329A (1)	203329A (1)	203329A (1)
15	Plaque de séparation	203331 (1)	203331 (1)	203331 (1)	203331 (1)
16	Serre-câble	203852 (1)	203852 (1)	203852 (1)	203852 (1)
17	Cordon secteur	4074ETD (1)	4074ETD (1)	4074ETD (1)	4074ETD (1)
18	Bouchon	203847 (1)	203847 (1)	203847 (1)	203847 (1)
19	Lampe au néon	4074EYS (1)	4074EYS (1)	4074EYS (1)	4074EYS (1)
20	Interrupteur à débit d'air	4074ETH (1)	4074ETH (1)	4074ETH (1)	4074ETH (1)
21	Post-filtre à fibres	50000293-001	50000293-002	50000293-003	50000293-004
22	Sachet FC37A pour réparation de la cellule. Contient 2 pinces de connecteur, 1 bornier et des directives	4074EHG	4074EHG	4074EHG	4074EHG

^a Utiliser une trousse de conversion 203365A pour convertir le bloc d'alimentation 120 V, 60 Hz en bloc d'alimentation 240 V, 60 Hz ou 220/1240 V, 50 Hz.

(Nombre) = quantité requise par appareil.

S.O. = ces pièces ne sont pas vendues séparément.

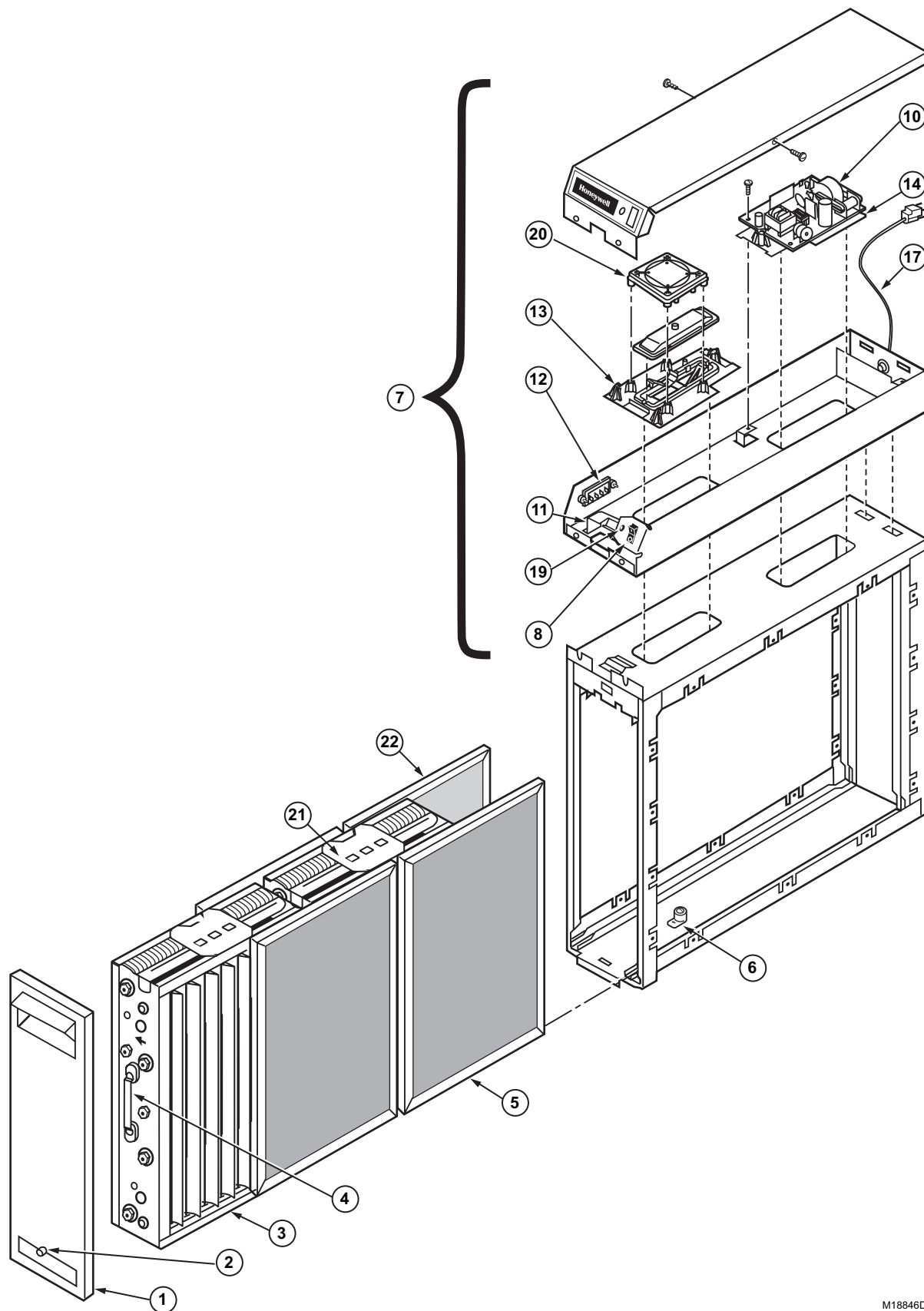


Fig. 19. Composants du filtre à air électronique (illustré : modèle à deux cellules).

M18846D

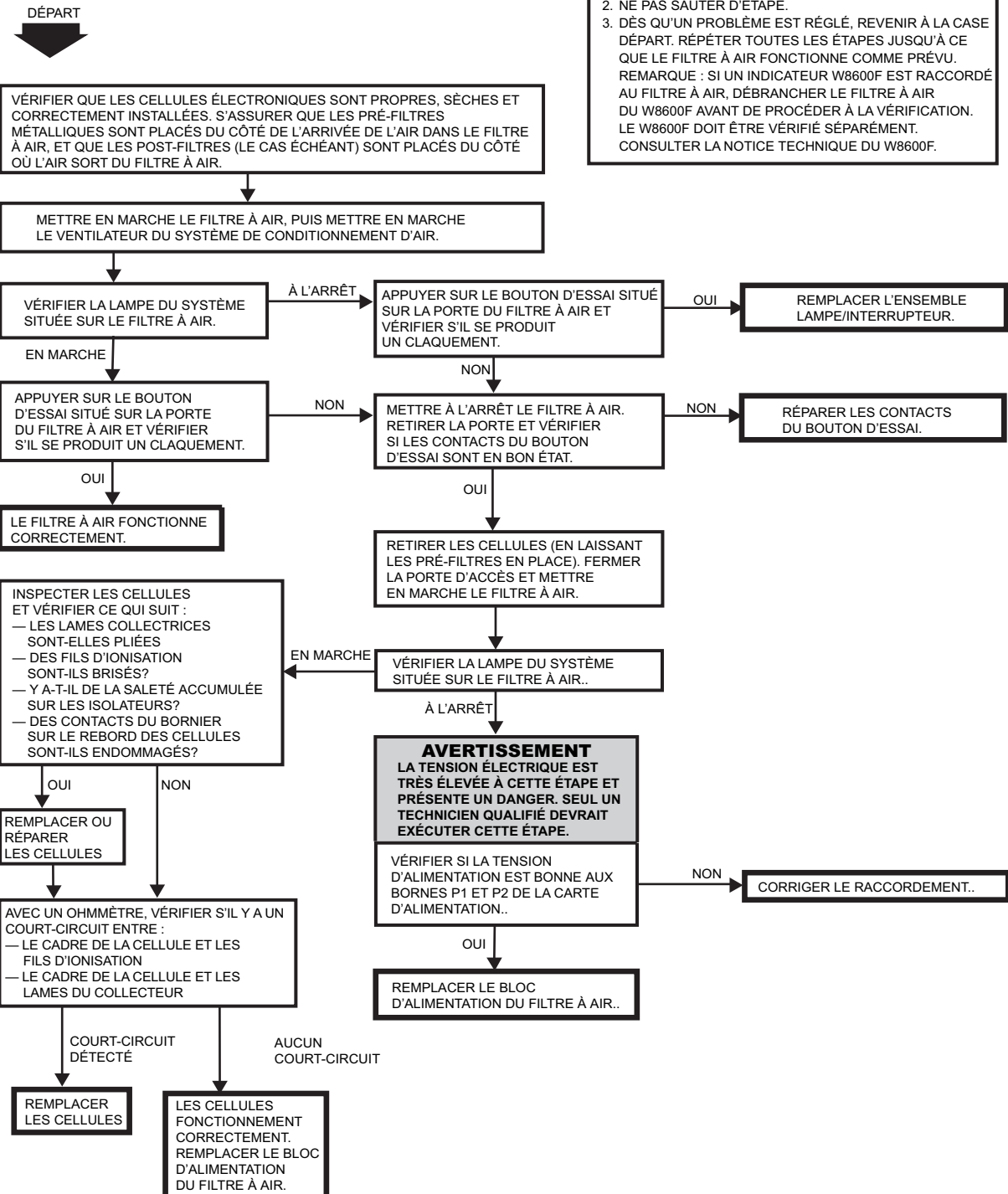
PIÈCES ET ACCESSOIRES NON ILLUSTRÉS (TABLEAU 4)

Description	Ouverture nominale de la gaine de reprise			
	406 X 508 mm (16 x 20 po)	406 x 635 mm (16 x 25 po)	508 x 508 mm (20 x 20 po)	508 x 635 mm (20 x 25 po)
Trousse avec joint d'étanchéité pour boîtier de filtre à air	32002109-001	32002109-001	32002109-001	32002109-001
Fils d'ionisation (par multiples de 5)	136434BA	136434BA	136434BA	136434BA
Vis de fixation	136375 (6)	136375 (6)	136375 (6)	136375 (6)
Moniteur de filtre à air (beige)	W8600F1008	W8600F1008	W8600F1008	W8600F1008
Indicateur AIRWATCH ^{MD} blanc Premier White ^{MD}	W8600F1007	W8600F1007	W8600F1007	W8600F1007
Moniteur de filtre à air blanc Premier White ^{MD}	W8600F1014	W8600F1014	W8600F1014	W8600F1014
Cellule de filtre à air électronique à deux étages avec pince pour collecteur	S.O.	FXC37A1247 (2)	S.O.	FC37A1239 (2)
Trousse de conversion à 240 V, 60 Hz	203365A	203365A	203365A	203365A

(Nombre) = quantité requise par appareil.

S.O. = ces pièces ne sont pas vendues séparément.

GUIDE DE VÉRIFICATION-DÉPANNAGE DU FILTRE À AIR



CE FILTRE À AIR PRODUIT DE L'OZONE EN QUANTITÉ NÉGLIGEABLE COMME SOUS-PRODUIT DU FONCTIONNEMENT NORMAL DE L'APPAREIL; LES QUANTITÉS PRODUITES SONT LARGEMENT INFÉRIEURES AUX LIMITES PRÉVUES PAR L'AGENCE FÉDÉRALE AMÉRICAINE POUR LE CONTRÔLE DES PRODUITS ALIMENTAIRES ET PHARMACEUTIQUES (FDA). PRIÈRE DE CONSULTER LE GUIDE DE L'UTILISATEUR POUR OBTENIR D'AUTRES RENSEIGNEMENTS. POUR OBTENIR UN GUIDE DE L'UTILISATEUR POUR LE REMPLACEMENT, COMPOSER LE 1-800-468-1502 OU SE RENDRE À L'ADRESSE <http://yourhome.honeywell.com>

AVERTISSEMENT
 LA CONVERSION INCORRECTE DU FILTRE À AIR ÉLECTRONIQUE EN FILTRE À AIR À FIBRES PEUT POSER UN RISQUE D'INCENDIE. LORS DE LA CONVERSION D'UN FILTRE À AIR ÉLECTRONIQUE EN FILTRE À AIR À FIBRES, LE BLOC D'ALIMENTATION DOIT ÊTRE RETIRÉ OU MIS HORS SERVICE DE FAÇON PERMANENTE.

MF13656

Honeywell

Offrez à votre famille un air ambiant de meilleure qualité en faisant appel aux solutions Honeywell. Confort et tranquillité d'esprit seront au rendez-vous.



Système de traitement d'air aux ultraviolets

Éliminez les microbes contenus dans l'air et empêchez les spores de moisissures de croître sur les serpentins de refroidissement



Filtre à air pour toute la maison

Emprisonnez une bonne partie des particules contenues dans l'air



Humidificateur pour toute la maison

Humidifiez l'air trop sec, maintenez l'humidité ambiante pour réduire les effets négatifs sur la santé



Système de régulation par zones

Réglez la température ambiante par zones pour plus de commodité et un confort accru



Échangeur d'air PerfectWindow®

Aérez la maison pour que l'air soit plus sain tout en réduisant la perte d'énergie



Thermostat programmable

Économisez jusqu'à 30 % du coût annuel de l'énergie grâce à ce thermostat d'installation facile*

* selon l'emplacement géographique et l'utilisation

MF18621A

Solutions de régulation et d'automatisation

Honeywell International Inc.
1985 Douglas Drive North
Golden Valley, MN 55422
customer.honeywell.com

Honeywell Limited-Honeywell Limitée
35, Dynamic Drive
Scarborough (Ontario) M1V 4Z9

