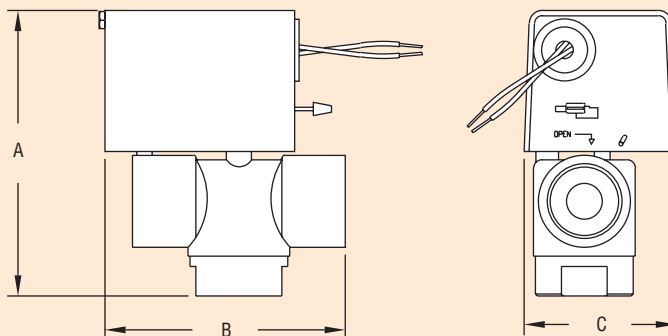


Series
3ZV1

Three-Way Zone Valves

Economical, Manual Override



Size	A [in (mm)]	C [in (mm)]	B [in (mm)]
1/2"	4.57 (116)	2.48 (63)	3.54 (90)
3/4"	4.69 (119)	2.48 (63)	3.66 (93)
1"	4.92 (125)	2.48 (63)	3.74 (95)

3ZV1 Series Zone Valves are ideal for flow control in hot and cold water HVAC systems. The 3ZV1 is electrically driven to open and spring to close. Units are available in 1/2", 3/4", and 1" sizes with 24 or 120 VAC power supply. Easy to install these units are direct replacements for competitor units. Manual override lever is easily accessible externally. Consult factory for 220 VAC power supply, optional auxiliary switches, and BSP or sweat connections.

MODELS

Model	Cv	Size	Supply Voltage	Close-off Pressure psi (bar)
3ZV1022	3.78	1/2"	120 VAC	22 (1.5)
3ZV1024	3.78	1/2"	24 VAC	22 (1.5)
3ZV1032	3.78	3/4"	120 VAC	14.5 (1.0)
3ZV1034	3.78	3/4"	24 VAC	14.5 (1.0)
3ZV1042	8.02	1"	120 VAC	10 (.70)
3ZV1044	8.02	1"	24 VAC	10 (.70)

SPECIFICATIONS

Service: Compatible fluids.

Body: 3-way.

Line Size: 1/2" to 1".

End Connections: Female NPT (optional BSP, sweat connections).

Pressure Limits: Maximum: 300 psi (20.7 bar); Close-off: see model chart.

Temperature Limits: Ambient: 32 to 104°F (0 to 40°C); Process: 0 to 201°F (0 to 94°C).

Wetted Materials: Brass, stainless steel, NBR.

Flow Characteristic: Quick opening.

Power Requirements: 120 VAC or 24 VAC, ±10%, 50/60 Hz. (optional 220 VAC).

Power Consumption: 6.5 W.

Input: On/off.

Electrical Connection: 22 AWG, 5" (127 mm) long.

Cycle Time: Opening time: 11 seconds; Closing time: 5 seconds.

Enclosure Rating: General purpose.

Housing Material: Aluminum.