

# **CHILL Chaser™ II**

Hydronic fan coil with built-in circulator

MODEL CC-140

UNIT HEATERS

MODEL CC-210

## **Instant Warmth and Comfort**

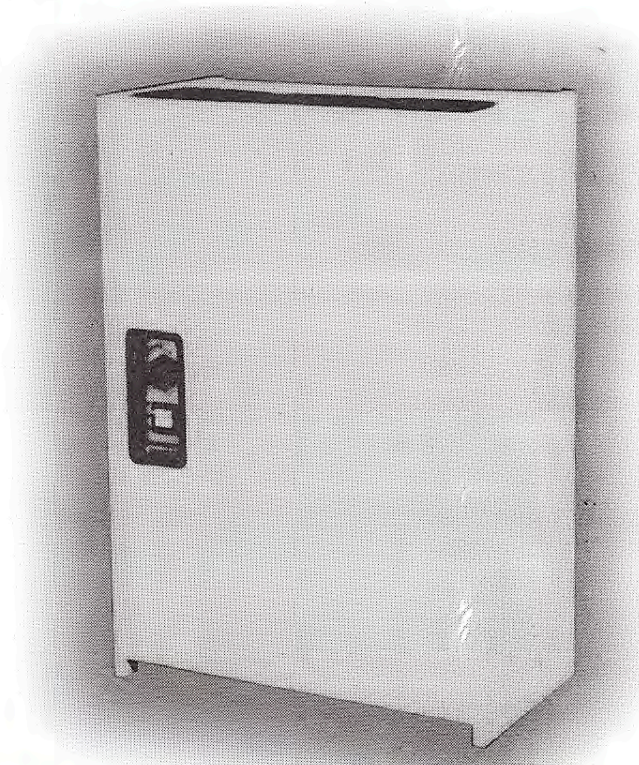
**connects directly to your domestic hot water supply  
(or any hot water source)**

**CHILL CHASER II** is the **SAFE** solution to warming hard to heat rooms & additions

**NO FLUES!**

**NO FLAMES!**

**NO FUMES!**



**THE CHILL CHASER II IS A UNIQUE CONCEPT FOR WARMING ROOMS.** Each **CHILL CHASER II** is a packaged system able to move hot water from a hot water tank and extract heat to provide room warmth. It is easy to install, requiring only piping from the hot water source, return piping and electrical connection. The built-in circulator & thermostat allows the unit to regulate the heat to keep an area at the temperature you desire.

**CHILL CHASER II PROVIDES SAFETY AND EFFICIENCY** - no flames, no flues or vents, no high temperature elements or high current wiring is added - since **CHILL CHASER II** can only add to room warmth. No heat is lost during off-cycles.

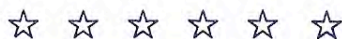
**CHILL CHASER II IS IDEAL FOR SUPPLEMENTAL HEATING OF UNHEATED OR HARD-TO-HEAT AREAS, SUCH AS KITCHENS, BEDROOMS, FAMILY ROOMS AND ADDITIONS.** Multiple units heat entire dwellings. Independent zone control facilitates energy conserving "between-season" use and warm areas when central temperatures are lowered.

**CHILL CHASER II PROVIDES SUBSTANTIAL ENERGY SAVINGS THRU IT'S ABILITY TO UTILIZE HEAT FROM ANY CLEAN ECONOMICAL HOT WATER SOURCE** - domestic hot water heaters, boilers, heat pumps, solar storage or tempering tanks and waste heat recovery systems.

**TURBONICS INC.**

**INNOVATION IS AN AMERICAN TRADITION**

4001 PEARL ROAD  
CLEVELAND, OHIO 44109  
216/741-8300 FAX: 216/741-7768



# CHILL Chaser™

CC 140 & CC 210

If you are adding on a room, converting a dormer or finishing your basement, the Chill Chaser is the perfect add-on solution. Chill Chaser's have no flames, flues or fumes. Pipe the Chill Chaser to your hot water tank (or any hot water source) and you have instant zoned safe heat. The Chill Chaser adds warmth and comfort to any room.

## THE CHILL CHASER II IS A UNIQUE CONCEPT FOR WARMING ROOMS.

Each Chill Chaser II is a packaged system able to move hot water from a hot water tank and extract heat to provide room warmth. It is easy to install, requiring only piping from the hot water source, return piping and electrical connection. The built-in circulator & thermostat allows the unit to regulate the heat to keep an area at the temperature you desire.

**CHILL CHASER II PROVIDES SAFETY AND EFFICIENCY** - no flames, no flues or vents, no high temperature elements or high current wiring is added - since Chill Chaser II can only add to room warmth. No heat is lost during off-cycles.

**MADE IN THE U.S.A.**

## CHILL CHASER II IS IDEAL FOR SUPPLEMENTAL HEATING OF UNHEATED OR HARD-TO-HEAT AREAS, SUCH AS KITCHENS, BEDROOMS, FAMILY ROOMS AND ADDITIONS.

Multiple units heat entire dwellings. Independent zone control facilitates energy conserving "between - season" use and warm areas when central temperatures are lowered.

**CHILL CHASER II PROVIDES SUBSTANTIAL ENERGY SAVINGS THROUGH IT'S ABILITY TO UTILIZE HEAT FROM ANY CLEAN ECONOMICAL HOT WATER SOURCE** - domestic hot water heaters, boilers, heat pumps, solar storage or tempering tanks and waste heat recovery systems.



Chill Chaser Surface Mount

Rating Data  
@ 2 G.P.M.

65 Degree  
Entering Air

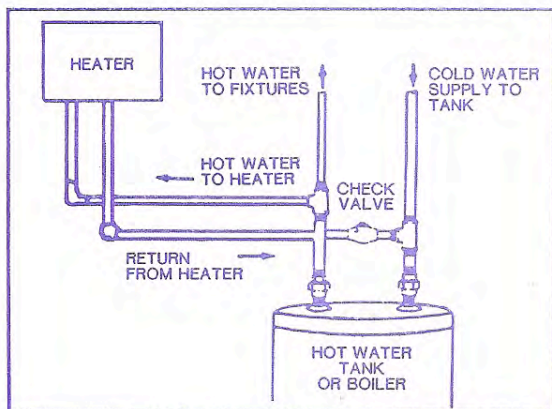
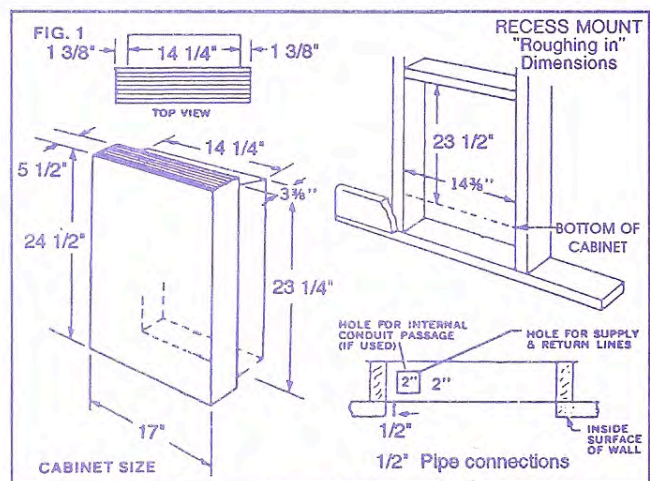


Chill Chaser 140 BTU Output per Hour

AMPS	CFM	Fan Control	Entering Water Temperature					
			120°	140°	160°	180°	200°	220°
.46	90	Low	4500	6300	8400	10300	12200	13700
.70	130	High	5800	8100	10200	11900	13500	15300

Chill Chaser 210 BTU Output per Hour

AMPS	CFM	Fan Control	Entering Water Temperature					
			120°	140°	160°	180°	200°	220°
.60	105	Low	5600	7500	9800	12500	15100	17400
.95	145	High	7200	9100	12100	15000	17200	20100



Chill Chaser piping diagram

# TURBONICS INC.

4001 Pearl Road, Cleveland, Ohio 44109  
Phone: 216 / 741-8300 FAX: 216 / 741-7768